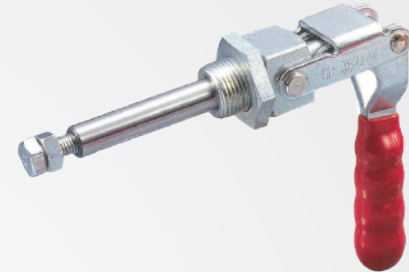
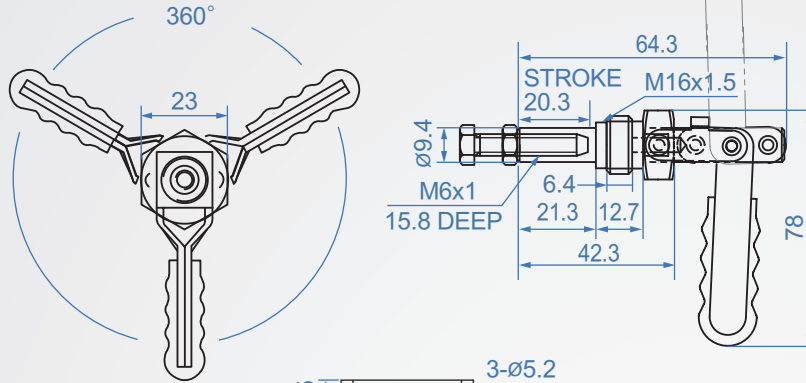
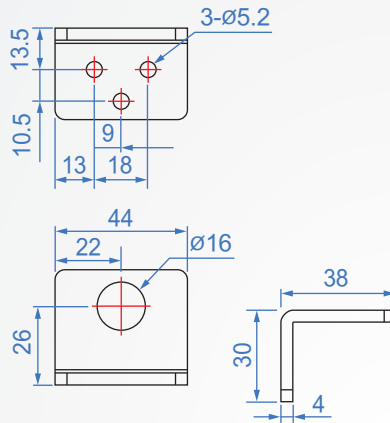


## GH36202-M

Side use



GH36202-M  
Accessories



GH36202-M

Material : SS400 Finish : Galvanized

GH36202-MSS

Material : SUS304

unit : mm

Code No.	Clamping force(kg)	weight(g)	Hadle moving	Chuck moving	Front-end accessories
GH36202-M	91	122	189°	20.3	NSA-064010
GH36202-MSS	91	122	189°	20.3	———