

Triangular connection block

## SF904-1 40、45 series

It applies only to 40,45 series of aluminum extrusion frame



### How to order

SF904-1 -  -

TYPE

Process choosen

Standard.....

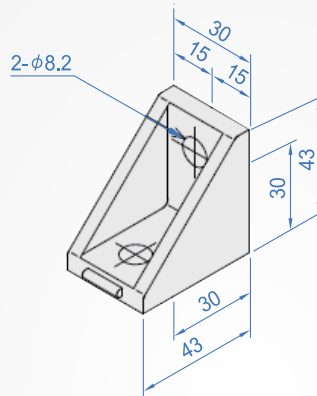
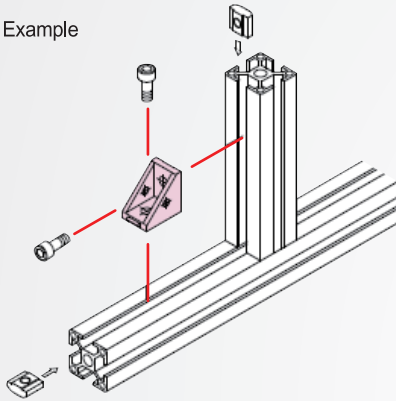
Through hole.....

Finish choosen

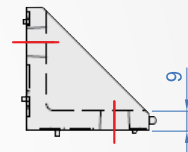
No processing.....

Black anodized.....

Example



Standard



Processing(Sealing plate with holes)

