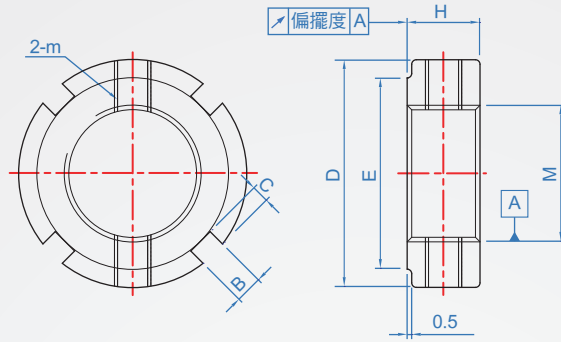


Precision Lock Nut  
**SR779**  
Radial Lock



Material	Finish	Thread Accuracy	Run Out	Accessory
SCM440 HRC28~32	BK	ISO 4H level	0.005mm (standard) 0.002mm (advanced)	前端含銅 Set screw

※螺紋方向為右螺牙，如需左螺牙可另洽詢各區窗口

How to order

MR779 - M6 - 0.5 -

TYPE Thread Pitch

Run Out  
standard 0.005 .....   
advanced 0.002 .....

Thread	Pitch	standard (0.005mm)		advanced (0.002mm)		H	B	C	Set Screw	
		D	E	D	E				m	鬆脫力矩
M6	0.5									
M8	0.75	16	11	16	11					
M8	1									
M10	0.75					8	3		M4	2.2 (max. Nm)
M10										
M12		22	18	22	18					
M15	1	25	21	25	21			2		
M17		28	23	28	23				M5	4.8 (max. Nm)
M20						10	4			
M20		32	27	32	27					
M25										
M25		38	33	38	33					
M30	1.5	45	40	45	40	12	5			
M35		52	47	52	47					
M40		58	52	58	52					
M45		65	59	65	59	14	6	2.5	M6	8 (max. Nm)
M50		70	64	70	64					
M55		75	68	75	68	16	7	3		
M60		80	73	80	73					
M65		85	78	85	78					
M70		92	85	92	85					
M75		98	90	98	90	18	8	3.5	M8	19 (max. Nm)
M80		105	95	105	95					
M85		110	102	110	102					
M90		120	108	120	108					
M95		125	113	125	113	20	10	4		
M100	2	130	120	130	120					
M105		140	126	140	126					
M110		145	133	145	133	22				
M115		150	137	150	137		12	5	M10	36 (max. Nm)
M120		155	138	155	138					
M125		160	148	160	148	24				
M130		165	149	165	149					
M135		175		175	160					
M140		180		180						
M145		190	172	190	172	26	14	6		
M150		195	171	195	171					
M155		200		200	182					
M160			182							
M165		210		210	193	28	16	7	M12	60 (max. Nm)
M170	3		193							
M170		220		220						
M180		230	203	230	203	30				
M190		240	214	240	214		18	8		
M200		250	223	250	226	32				

Copyright © CHENA INDUSTRIAL CO., LTD ALL Rights Reserved.