

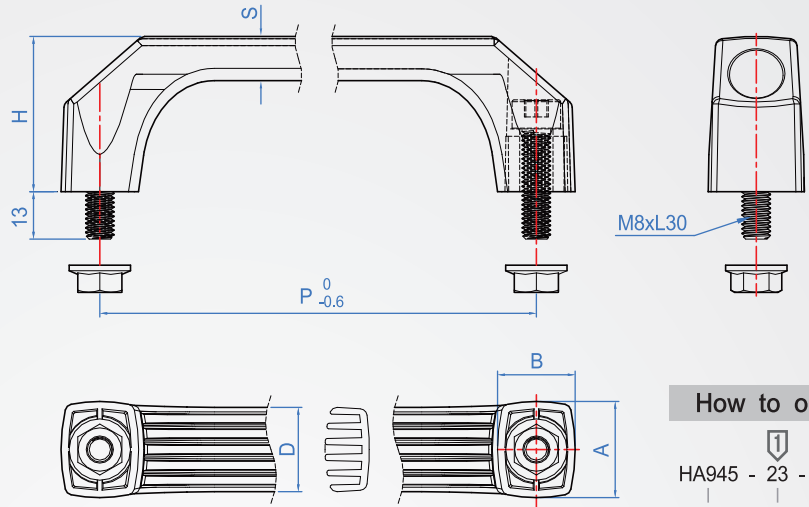
Nylon handle
HA945 Weight resistance



Material : Polyamide(PA6-GF33),Black and orange.

Features :

- ◇ Could be quick installed on the panel with a tapped hole or with a normal hole (by nut),and tight the screw from outside.
- ◇ Working temperature : -20°C to 150°C
- ◇ With screws M8*30mm length 2pcs.
- ◇ Resistance to acid,alkali,greasiness.



How to order

HA945 - - -

TYPE D P

Color chosen

Black.....

Orange.....

								Unit : mm	
D	P	H	S	A	B	Color	Load(N)	Weight(g)	
23	120	42	12	26	21	BK (Black)	800	90	
24	150	50	13	28	23			115	
25	180		15	30	25	OR (Orange)		130	