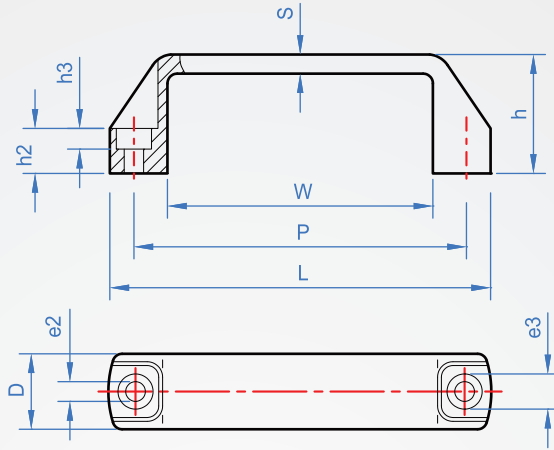


Nylon handle
HA944



Material	Color
Reinforced nylon 6 +Glass fiber	Black
	Orange

How to order

HA944 - 21 - 94 -

TYPE D P

Color chosen

Black..... BK

Orange..... OR

1		2		Unit : mm									
D	P	Color	S	W	L	h	h2	h3	e2	e3	Load(N)	Weight(g)	
21	94	BK (Black)	6	74	107	36	13	7	6.5	10.5	500	26	
26	117		7.5	95	134	41	15	8.5	8.5	13.5		32	
27	132	OR (Orange)	7	108	150	45	16					8.5	8.5
28	179		8	153	197	50	17	8.5	8.5	13.5			

※Heat temperature 150°C, Cold-resistant -20°C. Acid and alkali, oil resistance.
 ※Use hex socket head cap screw to fixed.