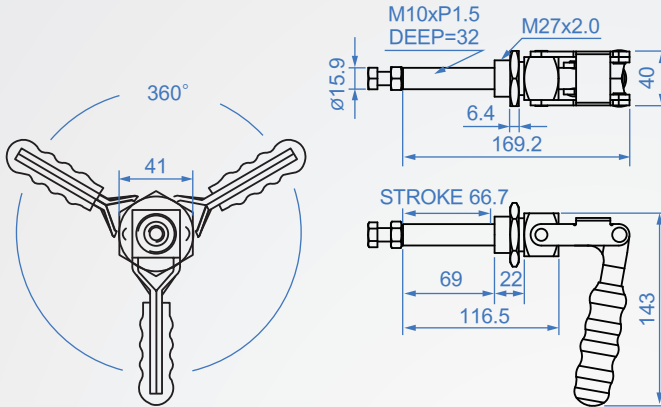
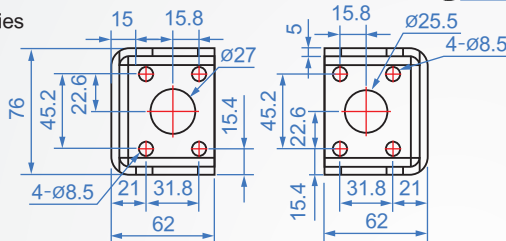


## GH36224M



GH36244-M Accessories  
GH36225



### GH36224M

Material : SS400 Finish : Zinc plated

### GH36224MSS

Material : SUS304

Unit : mm

Code No.	Clamping force(kg)	weight (g)	Hadle moving	Chuck moving	Front-end accessories
GH36224M	318	775	181°	66.7	NSA-105015
GH36224MSS	318	775	181°	66.7	-