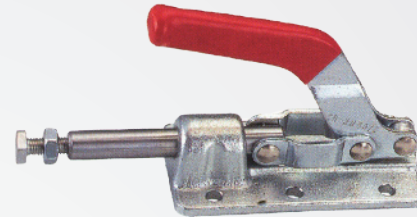
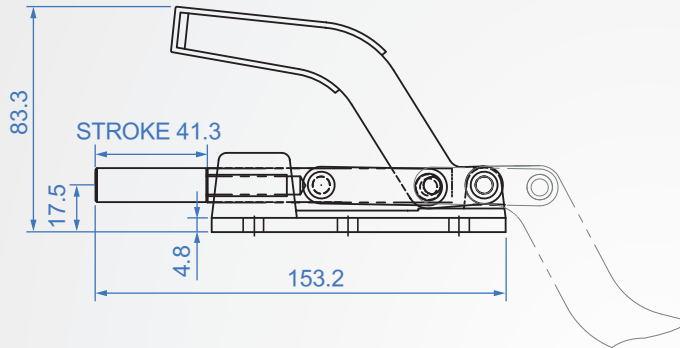
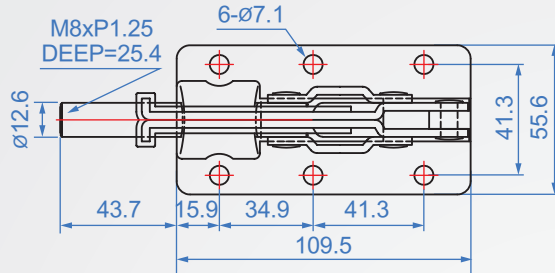


GH30607M



GH30607M

Material : SS400 Finish : Zinc plated

Unit : mm

Code No.	Clamping force(kg)	weight (g)	Hadle moving	Chuck moving	Front-end accessories
GH30607M	318	657	180°	41.3	NSA-085012