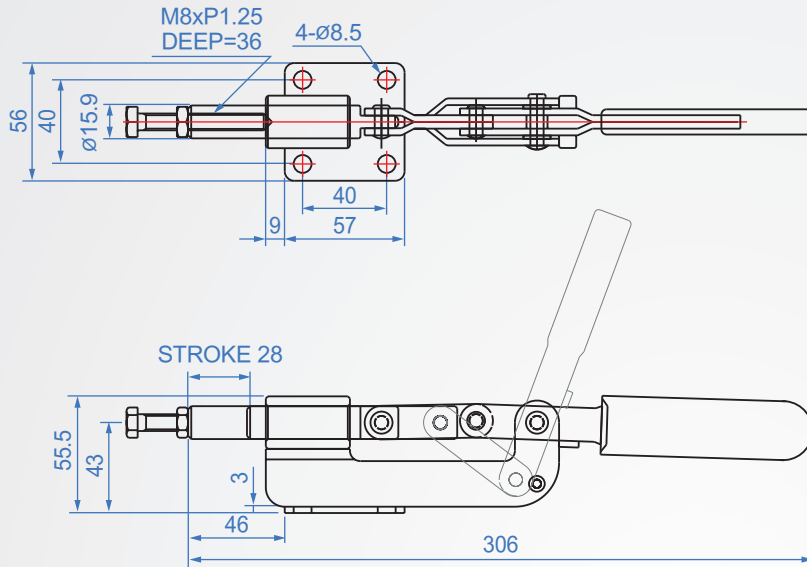


GH36060



GH36060

Material : SS400 Finish : Zinc plated

Unit : mm

Code No.	Clamping force(kg)	weight (g)	Handle moving	Chuck moving	Front-end accessories
GH36060	300	671	72°	28	NSA-083012

1N=0.102kgf