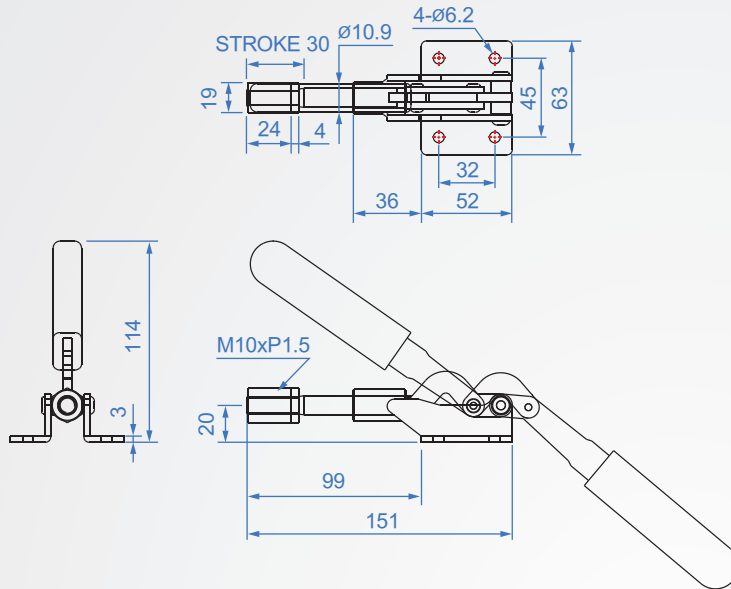


## GH31501



### GH31501

Material : SS400 Finish : Chrome plated

Unit : mm

Code No.	Clamping force(kg)	weight (g)	Hadle moving	Chuck moving	Front-end accessories
GH31501	200	380	190°	30	-

1N=0.102kgf