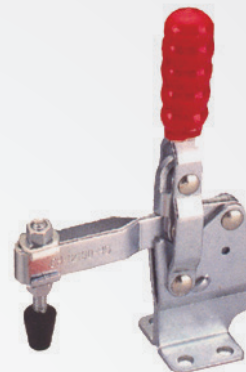
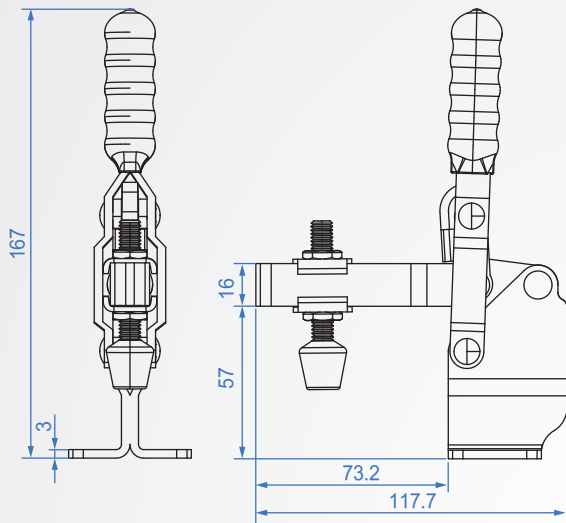
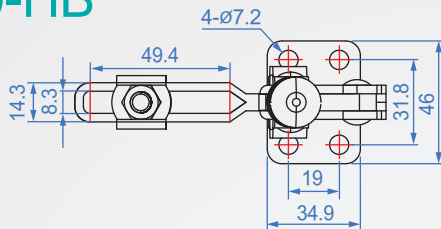


GH12130-HB



GH12130-HB

Material : SS400 Finish : Zinc plated

unit : mm

Code No.	Clamping pressure (kg)	weight (g)	Handle movement	Chuck movement	Front end fitting
GH12130-HB	227	401	56°	100°	NFC-56212