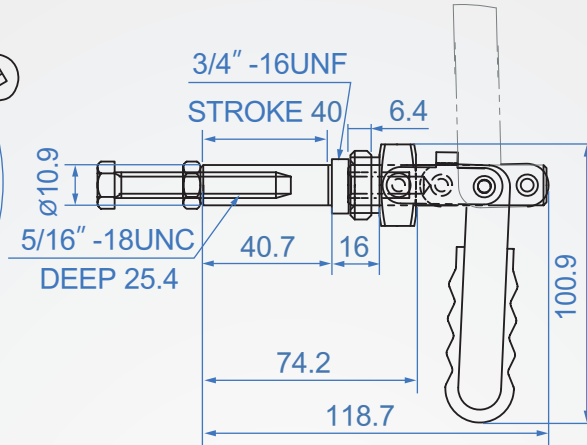
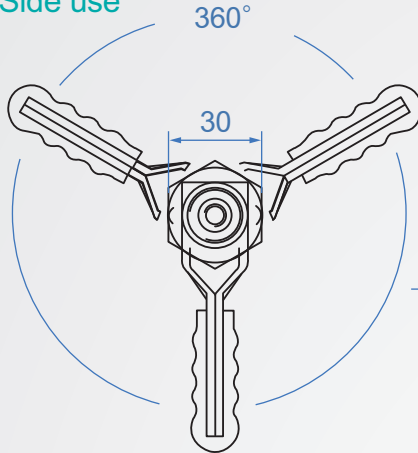
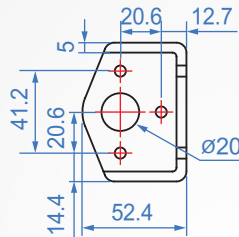
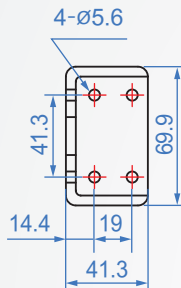


## GH36204-M

Side use



GH36204-M  
Accessories



### GH36204-M

Material : SS400 Finish : Galvanized

### GH36204-MSS

Material : SUS304

unit : mm

Code No.	Clamping force(kg)	weight(g)	Hadle moving	Chuck moving	Front-end accessories
GH36204-M	136	280	186°	40	NSA-085012
GH36204-MSS	136	280	186°	40	—————

1N=0.102kgf