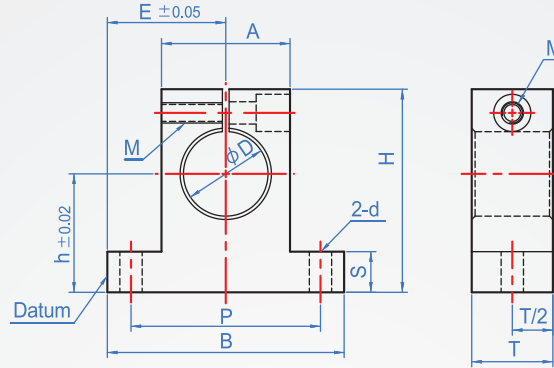


Slit Type  
**FB262**

Material	Finish	Accessory
AL Aluminum alloy	Clear anodizing	Clear anodizing



How to order

FB262 - 13  
| TYPE | D



Unit : mm

D	h	E	B	T	H	S	A	P	d	M	Quality (g)
10	20	21	42	14	32.8	6	18	32	5.5	M4	24
12	37.5				20		30				
13	37.5				20		32				
16	27	24	48	16	44	8	25	38	6.6	M5	40
20	31	30	60	20	51	10	30	45			70
25	35	35	70	24	60	12	38	56			130
30	42	42	84	28	70	15	44	64	9	M6	180
35	50	49	98	32	82		50	74			270
40	60	57	114	36	96		60	90			420
50	70	63	126	40	120	18	74	100	14	M12	750