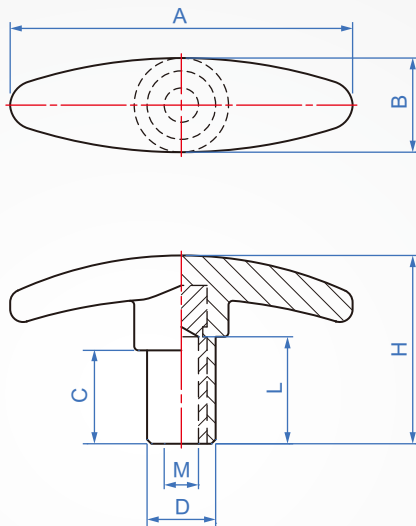


T-shaped handle

HB972

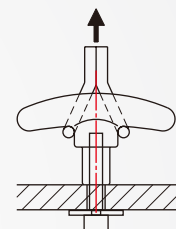
Internal thread



Ontology		Dental sleeve
Material	colour	
Bakelite	Black	Brass

Oil resistance and chemical resistance.

Use example



How to order

HB972 - M6

TYPE M

1										unit : mm
M	B	C	D	H	A	Pitch	L	Pull up the load (N)	weight (g)	
M6	18	16	12	40	70	1	20	2000	35	
M8	22	18	16	44	80	1.25	25	2000	65	
M10	24	17	18	48	90	1.5	28	4000	100	