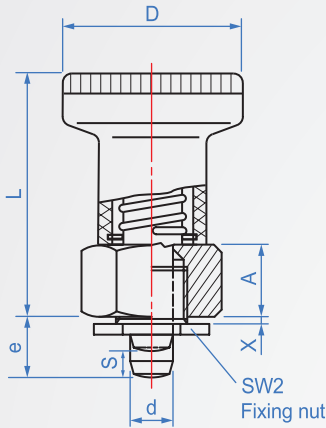


For thin wall  
**IP646**  
Nut fixed

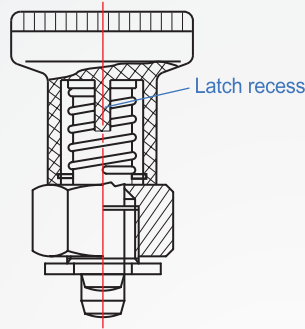


Main part	d Pin	Spring	D Knob	Fixing nut
SUM22L Trivalent chromium	SUS303 (Nickel plating)	SUS301	Nylon 6 (Mat Black)	SUM22L Trivalent chromium

A : Reset type

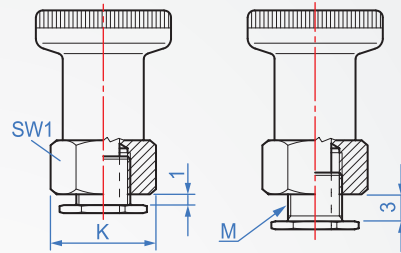


B : Latch type



Selection note :

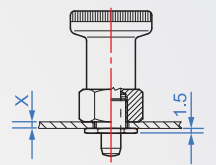
Fixing nut at the front end of the pin storage have length and short two sizes, it will apply to the E part dimension.



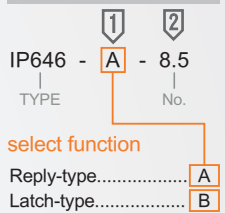
Short nut  
e part chosen 8.5 · 10

Length nut  
e part chosen 10.5 · 12

Example

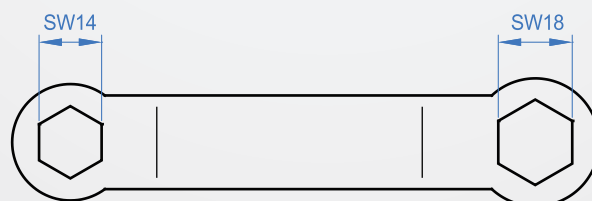


How to order



Type	d -0.02 -0.04	1		D	M	K	L	A	2		S min.	SW1	SW2	Load (N)	
		e	(g)						X min.	X max.				min.	max.
A Reply type	6	8.5	40	25	M10	19.5	34	10	1	5	6	17	14	8.5	22
		10.5	42												
B Card lock type	8	10	62	31	M12	22	40	12	1	5	7.5	19	16	15.5	28
		12	64												

Thin type special spanner  
**IP646-Spanner**



Material	Thickness mm	Quality (g)
Steel (Galvanization)	1.0	100

How to order

IP646 - Spanner  
|  
TYPE