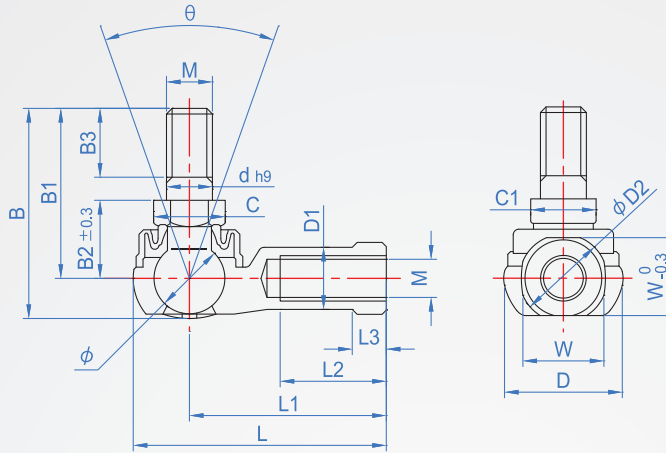
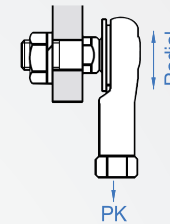


Knuckle bearing
RN535
L type

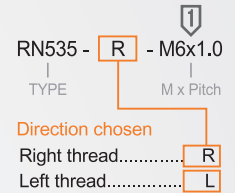


Installation example



Support base	Ball-bar	Rubber sleeve
Zinc alloy	S35C	NBR Synthetic rubber
※ M thread : JIS 2		

How to order



M x Pitch	Main dimensions									Ball-bar dimensions					Ball diameter φ	θ	Static load Cs(kgf)	Strength Pk(kgf)	Quality (g)		
	L	L1	L2	L3	D	D1	D2	W	d	B	B1	B2	B3	C						C1	
M 4	0.7	24.5	18	8	4	13	7.5	9.5	8	4	20	15	7	6	8.1	7	7.938	40°	460	140	7
M 5	0.8	34.5	27	15		15	9	12	10	5	26.7	21	10	8	9.2	8	9.525		660	230	12
M 6	1.0	38	30	16	5	16	10	13	11	6	32.6	26	11	11.6	10	11.112	1010		400	26	
M 8	1.25	45.5	36	19	6	19	12.5	16	14	8	38.6	31	14	12	13.8	12	12.7		1280	670	49
M10A		55.5	43	23	7	25	14.5	19	17	10	46.3	37	17	15	16.2	14	15.875		1870	1150	87
M10	1.5	64.5	50	26	8	29	17.5	22	19	12	52.3	43	19	17	19.6	17	19.05		2720	1670	143
M12A	1.25										59.7	49		24							148
M12	1.75																				

Newton N = kgf x 9.8

Copyright © CHENA INDUSTRIAL CO.,LTD ALL Rights Reserved.