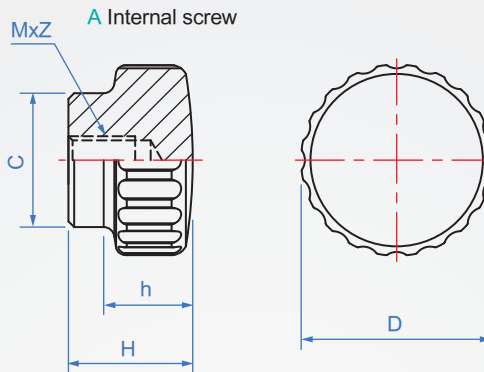


Ruled knob

VN974-A

SUS



Bolt material	Surface treatment
SUS	Special frost

How to order

① ②
VN974 - A - M5
TYPE Model M

							unit:mm
M	Pitch	C	D	H	h	Z min.	
M5	0.8	14	20	13	8.5	8	
M6	1	16	24	15	10.5	9	
M8	1.25	18	28	17	12.5	10	

※The knurling of the stainless steel knurled nut VN 974 allows use in environments with hygienic requirements.