

Medium load
CT892
steel plate long

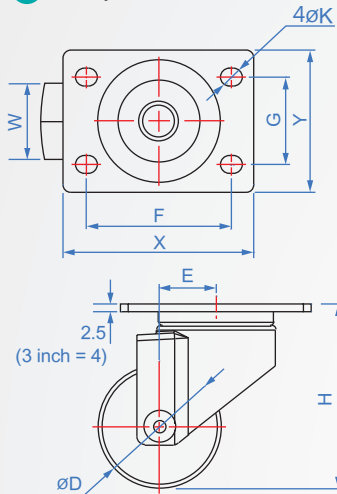


Ontology	Surface treatment	Wheel	Bearing
Steel	white zinc plated	Nylon	Double ball

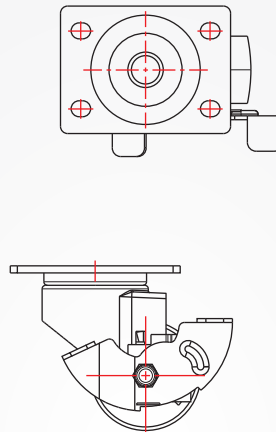
How to order

CT892 - A - 63
TYPE Kind D

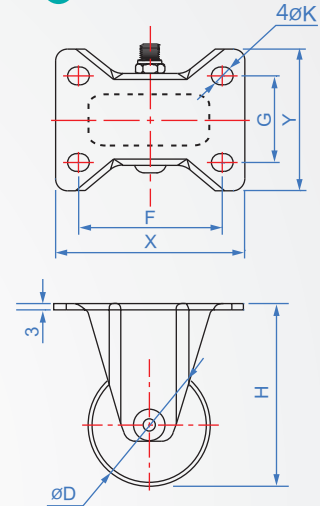
A Activity wheel



B Activity wheel+Brake wheel



C Fixed wheel



Allowable load (kgf)	Type	Wheel diameter		W	H	E	Chassis		Mounting holes		
		D	Inch				X	Y	F	G	K
		unit:mm									
150	A、B、C	63	2.5"	38	91	24	95	68	74	45	8.5
200	A	75	3"		105	33	100	80	80	60	11