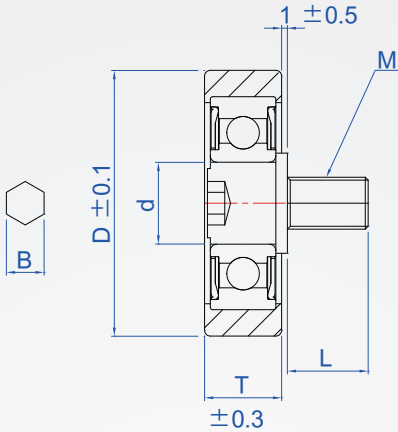


POM Resin bearing

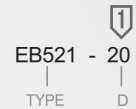
EB521

With screw thread



Surface Resin	Bearings	Axis
POM	SUJ2	SUS

How to order



Allowable load (N)	D	d	T	M	L	Hexagonal hole B		Built-in bearing
						B	B	
78	19	5	7	M5	6	2.5		605ZZ
	20		6					696ZZ
98	24	6	8	M6	8	3		626ZZ
	26							
196	28	8	10			4		608ZZ
	30		11					

kgf=N×0.101972