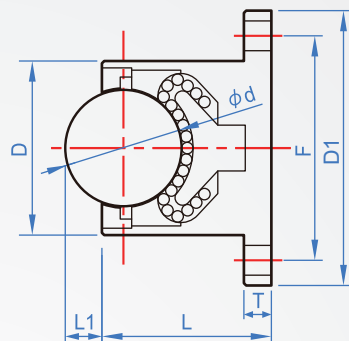
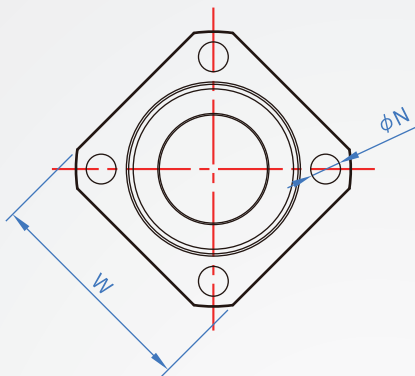


Square flange

## BR852

Downward



Main part	Dust ring	Base	Main ball	Auxiliary ball
S45C Electroless nickel	Felt	SCM415 50HRC~	SUJ2 55HRC~	SUJ2 55HRC~

### How to order

BR852 - 50  
 |  
 TYPE | D1



Unit : mm

D1	D	L	W	F	N	L1	d	T	Load resistance (N)	Weight (g)
40	24	24	32	32	4.5	5	15.875	4	900	160
50	30	28	40	40	5.5	6	19.05	5	1100	170
60	38	37	48	49	6.5	8	25.4	6	1200	185

kgf=N×0.101972