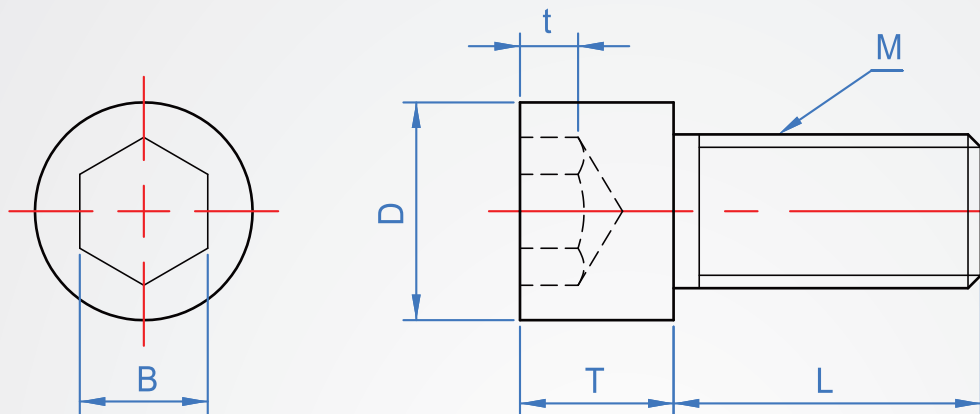


Small head cap crew

**WA731**

Material	Finish	Strength distinction
SCM435 HRC22~32	Black oxide	8.8
A2 (Quite SUS304)	—	A2-70



## How to order

1 2  
 WA731 - M4x0.7 - 6 -   
TYPE M x Pitch L

Material chosen  
 SCM435.....  
 A2..... **SUS**

1

2

Unit : mm

M x Pitch	L										D	Small head cap		
												B	T	t
M3 x 0.5	5	6	8	10							4.5	2.5	3	1.5
M4 x 0.7		6	8	10	12	16	20				5.5	3	4	2
M5 x 0.8			8	10	12	16	20				7	4	5	2.5
M6 x 1.0			8	10	12	16	20	25			8.5	5	6	3
M8 x 1.25				10	12	16	20	25	30		10	6	8	4
M10 x 1.5					16	20	25	30	35		13	8	10	5
M12 x 1.75						20	25	30			16	10	12	6

**Che Na**

FAX 886-2688-3177

info@chena.com.tw

886-22688-3188  
886-2688-3881~3No.21, Guangrong St. Shulin Dist.,  
New Taipei City 238 Taiwan (R.O.C.)