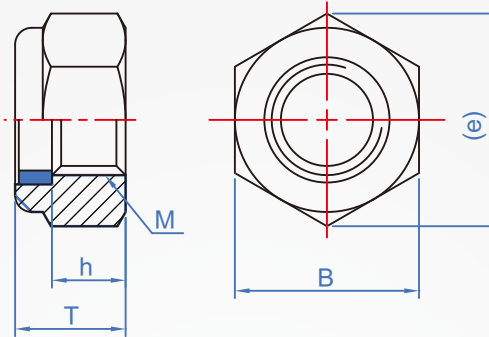


Lock nut
AU771
Nylon nuts



Material	Friction ring	Finish
Steel	Nylon	ZN
SUS304		—

※ Screws Clas : 6

How to order

AU771 - M3 -

 TYPE M

 Finish chosen

 Zinc plated.....

 SUS304..... SUS



Unit : mm

M	Pitch	B	T	h	(e)
M3	0.5	5.5	4	2.4	6
M4	0.7	7	5	2.9	7.7
M5	0.8	8	5	3.2	8.8
M6	1	10	6	4	11
M7	1	11	7.5	4.7	12.4
M8	1.25	13	8	5.5	14.4
M10	1.5	17	10	6.5	18.9
M12	1.75	19	12	8	21.1

※ Nylon rings have blue and white colors that do not affect performance.