

Eccentric fixture

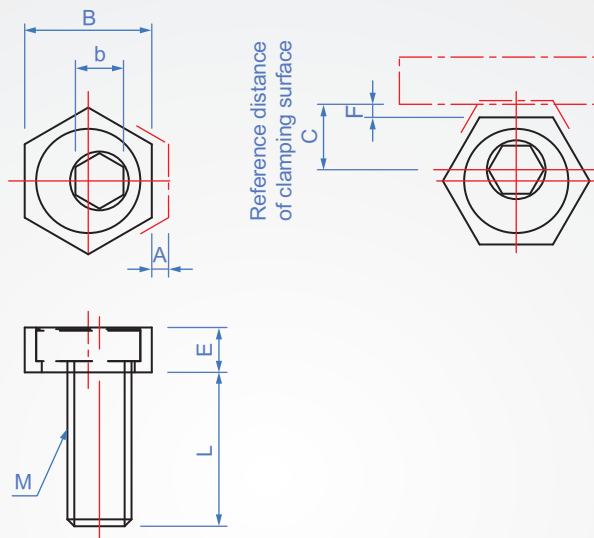
PX718

hexagon



■ Specialty

Low fixture height and high clamping force.
The same material does not damage the workpiece, but the clamping force is sufficient.



Hexagonal body

Eccentric screw

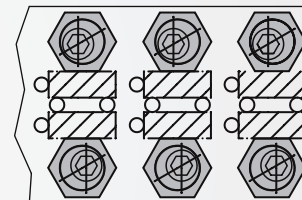
CU

Steel

How to order

1
PX718 - M6
TYPE M

Examples of use



unit:mm

M	Pitch	A	b	B	C	E	F	L	Torque (Nm)	Clamping force (N)	Weight (g)	PCS/PAG
M4	0.7	0.75	3	7.93	3.8	2.8	0.23	9.2	2	910	2	10
M6	1	1	4	15.86	7.8	4.8	0.4	11.2	8.5	3558	10	10
M8	1.25		5	20.6	10.2			15			11.3	18
M10	1.5	1.3	7	25.4	12.7	9.5	1	19	28	8900	27	10
M12	1.75	2	8					22.8			88	17800
M16	2	2.5	12	30.13	15	12.7	1.2	28.5	135	26700	103	4

Kgf=Nx0.102

Che Na

886-2688-3177

info@chena.com.tw

 886-22688-3188
886-2688-3881~3

 No.21, Guangrong St. Shulin Dist.,
New Taipei City 238 Taiwan (R.O.C.)