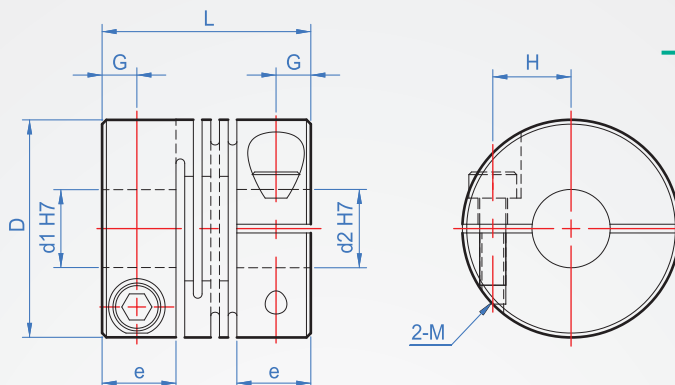


Slit clamp coupling

**CH402**

Short type



Main part

Hex socket  
head cap screwsA6061  
(Clear anodizing)SCM435  
(Black oxide)

SUS303

SUS304

How to order

CH402 - 16 - 4x5 -   
 TYPE     D     d1xd2

Material chosen

A6061.....  
 SUS303..... SUS

Unit : mm

D	d1 - d2		L	e	M	G	H	Weight(g)	
	min.	max.						AL	SUS
16	4	~ 6	18	6.8	M2.5	3.4	5.0	8	21
20	4	~ 8	20	7.65	M3	3.8	6.5	13	36
25	5	~ 10	25	9		4.8	9.0	25	69
32	6	~ 14	32	12.6	M4	6.3	11.0	53	150
40	8	~ 16	40	15.3	M5	7.5	14.0	117	-

※D part size only have aluminum alloy.

AL Characteristics table

Unit : mm

D	Torque (N · m)	Max. torque (N · m)	Highest number of rotations (rpm/min)	Moment of inertia (kg · m <sup>2</sup> )	Allowable axial displacement (mm)	Allowable declination (°)
16	0.3	0.6	9500	$2.9 \times 10^{-7}$	±0.2	1
20	0.5	1.0	7600	$7.5 \times 10^{-7}$	±0.2	1
25	1.0	2.0	6100	$2.3 \times 10^{-6}$	±0.2	1
32	2.2	4.0	4800	$8.1 \times 10^{-6}$	±0.2	1
40	5.0	10.0	3800	$1.9 \times 10^{-5}$	±0.2	1

SUS Characteristics table

Unit : mm

D	Torque (N · m)	Max. torque (N · m)	Highest number of rotations (rpm/min)	Moment of inertia (kg · m <sup>2</sup> )	Allowable axial displacement (mm)	Allowable declination (°)
16	0.3	0.6	9500	$2.9 \times 10^{-7}$	±0.2	1
20	0.5	1.0	7600	$7.5 \times 10^{-7}$	±0.2	1
25	1.0	2.0	6100	$2.3 \times 10^{-6}$	±0.2	1
32	2.2	4.0	4800	$8.1 \times 10^{-6}$	±0.2	1