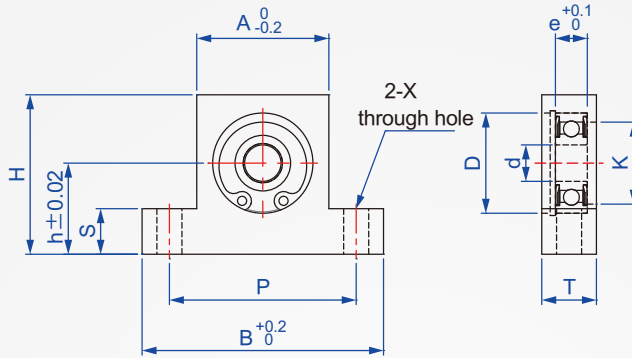


T-shaped BT571



material	surface treatment	bearing
iron S45C	TN Electroless Nickel	SUJ2 (JIS class 0)
aluminum A6061	AS white anode	

■ When the bearing material is stainless steel, add SS before the code (Example: SS6200)

How to order



Select Surface Treatment

Iron + electroless nickel..... **TN**
Aluminum + white anode..... **AS**

Bearing Code	h	d	D	tolerance	e	K	H	A	B	P	S	T	X	Basic rating		Allowable rotation (rpm)
														Cr	Cor	
														unit: mm		
608	20	8	22	+0.021 0	7	18	35	29	53	41	10	15	5.5	3000	1250	10000
6000	20	10	26		8	22	37	34	58	46				4100	1750	
	40		30	9	24	39	38	62	50	5100	2390					
6200	20	12	28	+0.025 0	8	28	38	36	60	48	15	15	6.5	4600	2150	11000
	40						50	40	68	54				5050	2550	
6001	20	15	32	+0.025 0	9	31	50	40	68	54	15	16	6.5	5400	3000	10000
	40						70	43	70	56				5050	3000	
6002	30	17	35	+0.025 0	10	36	52	43	70	56	15	19	9	8450	4500	9000
	40						72	50	82	66				8450	4500	
6003	40	20	42	+0.03 0	12	41	65	50	82	66	20	19	11	9100	5250	7500
	60						85	56	96	76				9100	5250	
6004	40	25	47	+0.03 0	13	48	68	56	96	76	20	19	11	9000	5900	6500
	80						108	64	104	84				9000	5900	
6005	40	30	55	+0.03 0	13	48	72	64	104	84	20	19	11	9000	5900	6500
	80						112	64	104	84				9000	5900	

Copyright © CHENA INDUSTRIAL CO., LTD ALL RIGHTS RESERVED.