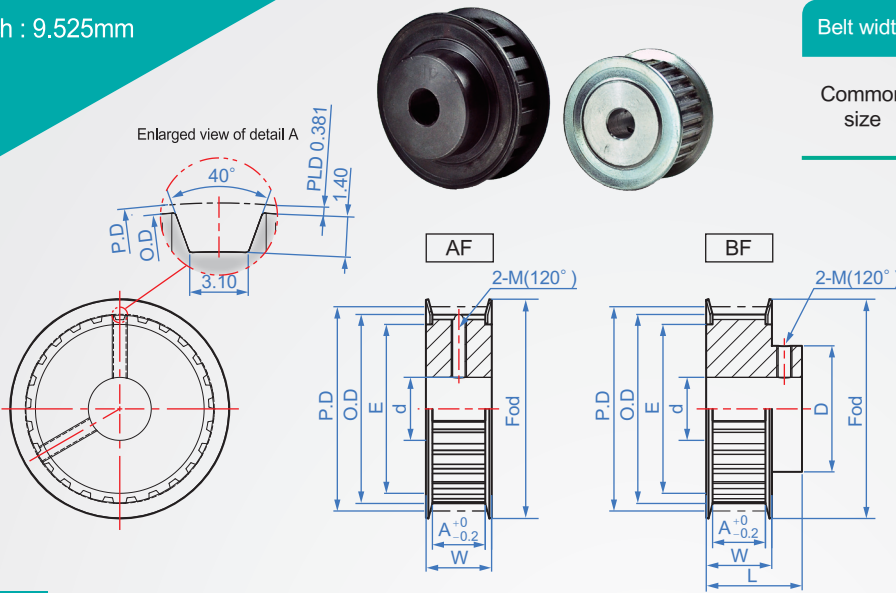


Pitch : 9.525mm

L



Belt width	037 (9.5mm)	050 (12.7mm)	075 (19.1mm)	100 (25.4mm)	150 (38.1mm)
Common size	A=11 W=16 L=28 (L=36)	A=14 W=19 L=31 (L=39)	A=21 W=26 L=38 (L=46)	A=27 W=32 L=44 (L=52)	A=40 W=45 L=57 (L=65)

※Teeth < 60(L=W+12) , teeth ≥ 60 (L=W+20)

How to order

1 2 3 4

10 - L-037 - AF - H5

Number of teeth TYPE width Shape Hole shape

Choose surface treatment

- AS Clear anode
- AB Black anode
- AN Electroless nickel
- AK Hardened anode

BF shape can specify changes

Example: original D path 24, change 23... **D23**

Material : Aluminum A6061+ anodized.
Please contact us if you need iron material.

1	2	3	4	Unit : mm																																																					
Number of teeth	TYPE width	Shape	Hole shape	Aperture d Processing min.	P.D	O.D	Number of teeth	D	E	Fod																																															
10	L-037	AF	<p>H Round hole</p> <p>d H7</p>	5~	30.32	29.56	10	24	24	35																																															
11					33.35	32.59	11		25	40																																															
12	L-050			BF	6~	36.38	35.62	12	27	30	45																																														
13						39.41	38.65	13		36	55																																														
14	L-037				AF	<p>Round hole + tapping</p> <p>P (120°) PV (90°)</p>	8~	42.45	41.68	14	30	36	48																																												
15								45.48	44.72	15		32	40	55																																											
16							L-050	BF	<p>Keyway + Tapping</p> <p>N (120°) NV (90°)</p>	10~	51.54	50.78	17	34	40	55																																									
17											54.57	53.81	18		36	43	60																																								
18										L-075	AF	<table border="1"> <tr> <th>Axis aperture</th> <th>Tapping</th> </tr> <tr> <td>5~12</td> <td>M4</td> </tr> <tr> <td>13~17</td> <td>M5</td> </tr> <tr> <td>18~30</td> <td>M6</td> </tr> <tr> <td>31~44</td> <td>M8</td> </tr> <tr> <td>45~65</td> <td>M10</td> </tr> </table>	Axis aperture	Tapping	5~12	M4	13~17	M5	18~30	M6	31~44	M8	45~65	M10	12~	57.61	56.84	19	38	45	65																										
Axis aperture													Tapping																																												
5~12													M4																																												
13~17													M5																																												
18~30													M6																																												
31~44													M8																																												
45~65													M10																																												
19													60.64	59.88	20	40	60	80																																							
20													L-050	BF	<table border="1"> <tr> <th>Shaft bore kw(Js9)</th> <th>kh</th> <th>Tapping</th> </tr> <tr> <td>8~10</td> <td>3</td> <td>1.4</td> <td rowspan="2">M4</td> </tr> <tr> <td>NK10</td> <td>4</td> <td>1.8</td> </tr> <tr> <td>11~12</td> <td>4</td> <td>1.8</td> <td rowspan="2">M5</td> </tr> <tr> <td>13~17</td> <td>5</td> <td>2.3</td> </tr> <tr> <td>18~22</td> <td>6</td> <td>2.8</td> <td rowspan="2">M6</td> </tr> <tr> <td>23~30</td> <td>8</td> <td>3.3</td> </tr> <tr> <td>31~38</td> <td>10</td> <td>3.3</td> <td rowspan="2">M8</td> </tr> <tr> <td>39~44</td> <td>12</td> <td>3.8</td> </tr> <tr> <td>45~50</td> <td>14</td> <td>3.8</td> <td>M10</td> </tr> </table>	Shaft bore kw(Js9)	kh	Tapping	8~10	3	1.4	M4	NK10	4	1.8	11~12	4	1.8	M5	13~17	5	2.3	18~22	6	2.8	M6	23~30	8	3.3	31~38	10	3.3	M8	39~44	12	3.8	45~50	14	3.8	M10	14~	63.67	62.91	21	42	50	70
Shaft bore kw(Js9)																kh	Tapping																																								
8~10																3	1.4	M4																																							
NK10																4	1.8																																								
11~12																4	1.8	M5																																							
13~17																5	2.3																																								
18~22																6	2.8	M6																																							
23~30																8	3.3																																								
31~38		10	3.3													M8																																									
39~44		12	3.8																																																						
45~50		14	3.8	M10																																																					
21		66.7	65.94	22												45	60	80																																							
22	L-100	AF	<p>Keyway + Tapping</p> <p>N (120°) NV (90°)</p>	12~	69.73	68.97										23	45	60	80																																						
23					72.77	72										24		50	65	85																																					
24				L-150	BF	<table border="1"> <tr> <th>Axis aperture</th> <th>Tapping</th> </tr> <tr> <td>5~12</td> <td>M4</td> </tr> <tr> <td>13~17</td> <td>M5</td> </tr> <tr> <td>18~30</td> <td>M6</td> </tr> <tr> <td>31~44</td> <td>M8</td> </tr> <tr> <td>45~65</td> <td>M10</td> </tr> </table>	Axis aperture	Tapping	5~12							M4	13~17		M5	18~30	M6	31~44	M8	45~65	M10	14~	75.8	75.04	25	56	75	95																									
Axis aperture							Tapping																																																		
5~12							M4																																																		
13~17							M5																																																		
18~30							M6																																																		
31~44							M8																																																		
45~65							M10																																																		
25							78.83	78.07	26	58	85	105																																													
26							L-037	AF	<table border="1"> <tr> <th>Shaft bore kw(Js9)</th> <th>kh</th> <th>Tapping</th> </tr> <tr> <td>8~10</td> <td>3</td> <td>1.4</td> <td rowspan="2">M4</td> </tr> <tr> <td>NK10</td> <td>4</td> <td>1.8</td> </tr> <tr> <td>11~12</td> <td>4</td> <td>1.8</td> <td rowspan="2">M5</td> </tr> <tr> <td>13~17</td> <td>5</td> <td>2.3</td> </tr> <tr> <td>18~22</td> <td>6</td> <td>2.8</td> <td rowspan="2">M6</td> </tr> <tr> <td>23~30</td> <td>8</td> <td>3.3</td> </tr> <tr> <td>31~38</td> <td>10</td> <td>3.3</td> <td rowspan="2">M8</td> </tr> <tr> <td>39~44</td> <td>12</td> <td>3.8</td> </tr> <tr> <td>45~50</td> <td>14</td> <td>3.8</td> <td>M10</td> </tr> </table>	Shaft bore kw(Js9)	kh	Tapping				8~10	3	1.4	M4	NK10	4	1.8	11~12	4	1.8	M5	13~17	5	2.3	18~22	6	2.8	M6	23~30	8	3.3	31~38	10	3.3	M8	39~44	12	3.8	45~50	14	3.8	M10	14~	81.86	81.1	27	63	85	105			
Shaft bore kw(Js9)										kh	Tapping																																														
8~10										3	1.4	M4																																													
NK10										4	1.8																																														
11~12										4	1.8	M5																																													
13~17										5	2.3																																														
18~22										6	2.8	M6																																													
23~30										8	3.3																																														
31~38										10	3.3	M8																																													
39~44										12	3.8																																														
45~50										14	3.8	M10																																													
27										84.89	84.13	28	65	95	115																																										
28										L-050	BF	<table border="1"> <tr> <th>Axis aperture</th> <th>Tapping</th> </tr> <tr> <td>5~12</td> <td>M4</td> </tr> <tr> <td>13~17</td> <td>M5</td> </tr> <tr> <td>18~30</td> <td>M6</td> </tr> <tr> <td>31~44</td> <td>M8</td> </tr> <tr> <td>45~65</td> <td>M10</td> </tr> </table>	Axis aperture	Tapping	5~12	M4	13~17	M5	18~30	M6	31~44	M8	45~65	M10	14~	87.93	87.16	29	71	95	115																										
Axis aperture													Tapping																																												
5~12	M4																																																								
13~17	M5																																																								
18~30	M6																																																								
31~44	M8																																																								
45~65	M10																																																								
29	90.96	90.2	30	95	125	135																																																			
30	L-075	AF	<table border="1"> <tr> <th>Shaft bore kw(Js9)</th> <th>kh</th> <th>Tapping</th> </tr> <tr> <td>8~10</td> <td>3</td> <td>1.4</td> <td rowspan="2">M4</td> </tr> <tr> <td>NK10</td> <td>4</td> <td>1.8</td> </tr> <tr> <td>11~12</td> <td>4</td> <td>1.8</td> <td rowspan="2">M5</td> </tr> <tr> <td>13~17</td> <td>5</td> <td>2.3</td> </tr> <tr> <td>18~22</td> <td>6</td> <td>2.8</td> <td rowspan="2">M6</td> </tr> <tr> <td>23~30</td> <td>8</td> <td>3.3</td> </tr> <tr> <td>31~38</td> <td>10</td> <td>3.3</td> <td rowspan="2">M8</td> </tr> <tr> <td>39~44</td> <td>12</td> <td>3.8</td> </tr> <tr> <td>45~50</td> <td>14</td> <td>3.8</td> <td>M10</td> </tr> </table>	Shaft bore kw(Js9)	kh	Tapping							8~10	3	1.4	M4	NK10	4	1.8	11~12	4	1.8	M5	13~17	5	2.3	18~22	6	2.8	M6	23~30	8	3.3	31~38	10	3.3	M8	39~44	12	3.8	45~50	14	3.8	M10	14~	93.99	93.23	31	77	105	125						
Shaft bore kw(Js9)				kh	Tapping																																																				
8~10				3	1.4	M4																																																			
NK10				4	1.8																																																				
11~12				4	1.8	M5																																																			
13~17				5	2.3																																																				
18~22				6	2.8	M6																																																			
23~30				8	3.3																																																				
31~38				10	3.3	M8																																																			
39~44				12	3.8																																																				
45~50				14	3.8	M10																																																			
31				97.02	96.26	32	105	135	155																																																
32				L-050	BF	<table border="1"> <tr> <th>Axis aperture</th> <th>Tapping</th> </tr> <tr> <td>5~12</td> <td>M4</td> </tr> <tr> <td>13~17</td> <td>M5</td> </tr> <tr> <td>18~30</td> <td>M6</td> </tr> <tr> <td>31~44</td> <td>M8</td> </tr> <tr> <td>45~65</td> <td>M10</td> </tr> </table>	Axis aperture	Tapping	5~12				M4	13~17	M5	18~30	M6	31~44	M8	45~65	M10	14~	100.05	99.29	33	83	115	135																													
Axis aperture							Tapping																																																		
5~12							M4																																																		
13~17							M5																																																		
18~30							M6																																																		
31~44							M8																																																		
45~65							M10																																																		
33							103.08	102.32	34	115	145	165																																													
34							L-100	AF	<table border="1"> <tr> <th>Shaft bore kw(Js9)</th> <th>kh</th> <th>Tapping</th> </tr> <tr> <td>8~10</td> <td>3</td> <td>1.4</td> <td rowspan="2">M4</td> </tr> <tr> <td>NK10</td> <td>4</td> <td>1.8</td> </tr> <tr> <td>11~12</td> <td>4</td> <td>1.8</td> <td rowspan="2">M5</td> </tr> <tr> <td>13~17</td> <td>5</td> <td>2.3</td> </tr> <tr> <td>18~22</td> <td>6</td> <td>2.8</td> <td rowspan="2">M6</td> </tr> <tr> <td>23~30</td> <td>8</td> <td>3.3</td> </tr> <tr> <td>31~38</td> <td>10</td> <td>3.3</td> <td rowspan="2">M8</td> </tr> <tr> <td>39~44</td> <td>12</td> <td>3.8</td> </tr> <tr> <td>45~50</td> <td>14</td> <td>3.8</td> <td>M10</td> </tr> </table>	Shaft bore kw(Js9)	kh	Tapping	8~10	3	1.4	M4	NK10	4	1.8	11~12	4	1.8	M5	13~17	5	2.3	18~22	6	2.8	M6	23~30	8	3.3	31~38	10	3.3	M8	39~44	12	3.8	45~50	14	3.8	M10	14~	106.12	105.36	35	91	125	145						
Shaft bore kw(Js9)										kh	Tapping																																														
8~10										3	1.4	M4																																													
NK10										4	1.8																																														
11~12	4	1.8	M5																																																						
13~17	5	2.3																																																							
18~22	6	2.8	M6																																																						
23~30	8	3.3																																																							
31~38	10	3.3	M8																																																						
39~44	12	3.8																																																							
45~50	14	3.8	M10																																																						
35	109.15	108.39	36							125	155	175																																													
36	L-150	BF	<table border="1"> <tr> <th>Axis aperture</th> <th>Tapping</th> </tr> <tr> <td>5~12</td> <td>M4</td> </tr> <tr> <td>13~17</td> <td>M5</td> </tr> <tr> <td>18~30</td> <td>M6</td> </tr> <tr> <td>31~44</td> <td>M8</td> </tr> <tr> <td>45~65</td> <td>M10</td> </tr> </table>							Axis aperture	Tapping	5~12	M4	13~17	M5	18~30	M6	31~44	M8	45~65	M10	14~	111.18	111.42	37	97	135	155																													
Axis aperture										Tapping																																															
5~12										M4																																															
13~17										M5																																															
18~30				M6																																																					
31~44				M8																																																					
45~65				M10																																																					
37				115.21	114.45	38				135	165	185																																													
38				L-037	AF	<table border="1"> <tr> <th>Axis aperture</th> <th>Tapping</th> </tr> <tr> <td>5~12</td> <td>M4</td> </tr> <tr> <td>13~17</td> <td>M5</td> </tr> <tr> <td>18~30</td> <td>M6</td> </tr> <tr> <td>31~44</td> <td>M8</td> </tr> <tr> <td>45~65</td> <td>M10</td> </tr> </table>				Axis aperture	Tapping	5~12	M4	13~17	M5	18~30	M6	31~44	M8	45~65	M10	14~	118.24	117.48	39	103	145	165																													
Axis aperture										Tapping																																															
5~12										M4																																															
13~17										M5																																															
18~30							M6																																																		
31~44							M8																																																		
45~65							M10																																																		
39							121.28	120.51	40	145	175	195																																													
40							L-050	BF	<table border="1"> <tr> <th>Axis aperture</th> <th>Tapping</th> </tr> <tr> <td>5~12</td> <td>M4</td> </tr> <tr> <td>13~17</td> <td>M5</td> </tr> <tr> <td>18~30</td> <td>M6</td> </tr> <tr> <td>31~44</td> <td>M8</td> </tr> <tr> <td>45~65</td> <td>M10</td> </tr> </table>	Axis aperture	Tapping	5~12	M4	13~17	M5	18~30	M6	31~44	M8	45~65	M10	14~	124.31	123.55	41	109	155	175																													
Axis aperture										Tapping																																															
5~12										M4																																															
13~17										M5																																															
18~30										M6																																															
31~44										M8																																															
45~65										M10																																															
41										127.34	126.58	42	155	185	205																																										
42	L-075	AF	<table border="1"> <tr> <th>Axis aperture</th> <th>Tapping</th> </tr> <tr> <td>5~12</td> <td>M4</td> </tr> <tr> <td>13~17</td> <td>M5</td> </tr> <tr> <td>18~30</td> <td>M6</td> </tr> <tr> <td>31~44</td> <td>M8</td> </tr> <tr> <td>45~65</td> <td>M10</td> </tr> </table>							Axis aperture	Tapping	5~12	M4	13~17	M5	18~30	M6	31~44	M8	45~65	M10	14~	130.37	129.61	43	115	165	185																													
Axis aperture										Tapping																																															
5~12										M4																																															
13~17										M5																																															
18~30										M6																																															
31~44										M8																																															
45~65										M10																																															
43										133.4	132.64	44	165	195	215																																										
44				L-050	BF	<table border="1"> <tr> <th>Axis aperture</th> <th>Tapping</th> </tr> <tr> <td>5~12</td> <td>M4</td> </tr> <tr> <td>13~17</td> <td>M5</td> </tr> <tr> <td>18~30</td> <td>M6</td> </tr> <tr> <td>31~44</td> <td>M8</td> </tr> <tr> <td>45~65</td> <td>M10</td> </tr> </table>				Axis aperture	Tapping	5~12	M4	13~17	M5	18~30	M6	31~44	M8	45~65	M10	14~	136.44	135.67	45	121	175	195																													
Axis aperture										Tapping																																															
5~12										M4																																															
13~17										M5																																															
18~30										M6																																															
31~44										M8																																															
45~65										M10																																															
45										139.47	137.71	46	175	205	225																																										
46							L-100	AF	<table border="1"> <tr> <th>Axis aperture</th> <th>Tapping</th> </tr> <tr> <td>5~12</td> <td>M4</td> </tr> <tr> <td>13~17</td> <td>M5</td> </tr> <tr> <td>18~30</td> <td>M6</td> </tr> <tr> <td>31~44</td> <td>M8</td> </tr> <tr> <td>45~65</td> <td>M10</td> </tr> </table>	Axis aperture	Tapping	5~12	M4	13~17	M5	18~30	M6	31~44	M8	45~65	M10	14~	142.5	141.74	47	127	185	205																													
Axis aperture										Tapping																																															
5~12										M4																																															
13~17										M5																																															
18~30										M6																																															
31~44										M8																																															
45~65										M10																																															
47										145.53	144.77	48	185	215	235																																										
48	L-150	BF	<table border="1"> <tr> <th>Axis aperture</th> <th>Tapping</th> </tr> <tr> <td>5~12</td> <td>M4</td> </tr> <tr> <td>13~17</td> <td>M5</td> </tr> <tr> <td>18~30</td> <td>M6</td> </tr> <tr> <td>31~44</td> <td>M8</td> </tr> <tr> <td>45~65</td> <td>M10</td> </tr> </table>							Axis aperture	Tapping	5~12	M4	13~17	M5	18~30	M6	31~44	M8	45~65	M10	14~	148.56	147.8	49	133	195	215																													
Axis aperture										Tapping																																															
5~12										M4																																															
13~17										M5																																															
18~30										M6																																															
31~44										M8																																															
45~65										M10																																															
49										151.6	150.83	50	195	225	245																																										
50				L-037	AF	<table border="1"> <tr> <th>Axis aperture</th> <th>Tapping</th> </tr> <tr> <td>5~12</td> <td>M4</td> </tr> <tr> <td>13~17</td> <td>M5</td> </tr> <tr> <td>18~30</td> <td>M6</td> </tr> <tr> <td>31~44</td> <td>M8</td> </tr> <tr> <td>45~65</td> <td>M10</td> </tr> </table>				Axis aperture	Tapping	5~12	M4	13~17	M5	18~30	M6	31~44	M8	45~65	M10	14~	151.6	150.83	50	139	205	225																													
Axis aperture										Tapping																																															
5~12										M4																																															
13~17										M5																																															
18~30										M6																																															
31~44										M8																																															
45~65										M10																																															
50										154.63	153.86	51	205	235	255																																										

Copyright © CHENA INDUSTRIAL CO.,LTD ALL RIGHTS RESERVED.