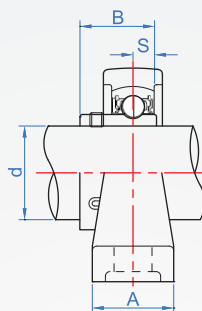
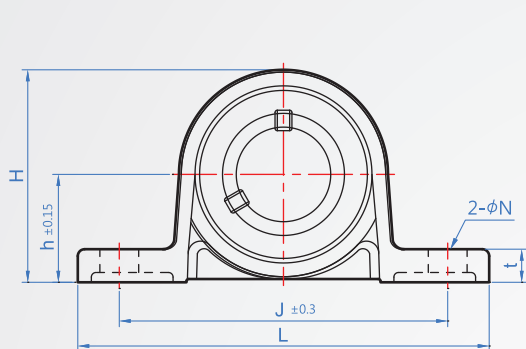


Stand Type
RN513
Zinc alloy

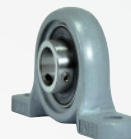
Mold	Eccentric ring	Main part	Bearing	Set screw	Operating temperature
Hole	-	Zinc alloy die casting	SUJ2	SCM435	-10°C~ 80°C
Eccentric hole	S20C Black oxide				

Bearing NBR rubber seal

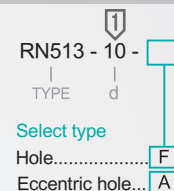


F : Hole
(10~30)

A : Eccentric hole
(8~30)



How to order



Unit : mm

d	h	L	J	A	N	t	H	B Hole(Eccentric hole)	S	Applicable bolt	Basic rated load(kN)		Quality(g)	
											Cr	Cor	Hole	Eccentric hole
10	18	67	53	16	7	6	35	14 (17.5)	4	M6	4.6	2	85	77
12	19	71	56	16	7	6	38	14.5 (17.5)	4	M6	5.1	2.4	100	91
15	22	80	63	16	7	7	43	16.5 (18.5)	4.5	M6	5.6	2.8	135	125
17	24	85	67	18	7	7	47	17.5 (20.5)	5	M6	6.0	3.3	170	156
20	28	100	80	20	10	9	55	21 (24.5)	6	M8	9.4	5.1	250	230
25	32	112	90	20	10	10	62	22 (25.5)	6	M8	10.1	5.8	315	294
30	36	132	106	26	13	11	70	24.5 (26.5)	6.5	M10	13.2	8.3	480	454

※ Set screw angle : hole type 120° ; Eccentric hole type 90°

※ B part have () is eccentric hole dimension.