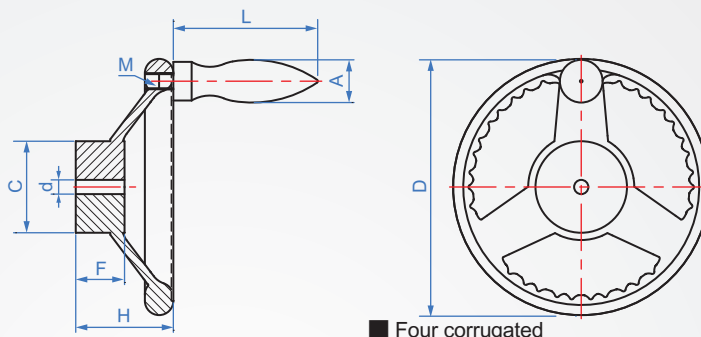


Cast iron
YM964
Corrugated inner wheel

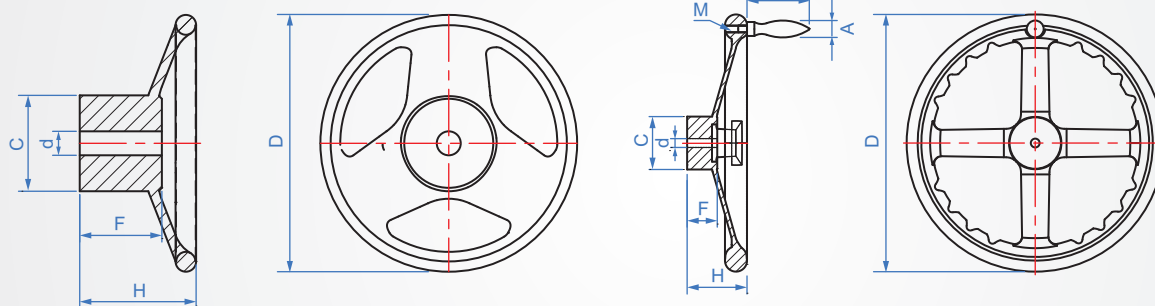
Ontology		Rotary handle	
Material	Finish	Material	Finish
Cast iron FC20	Chrome plating	Aluminum zinc alloy	Chrome plating



■ Three corrugated



■ Four corrugated



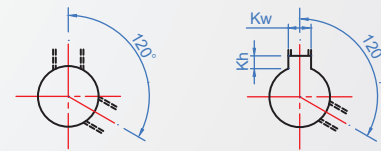
How to order

YM964 - 102 - N10
TYPE D Specified hole

No.	D	d	Hole type	Aperture	C	F	H	Rotary handle			weight kg		
								A	L	M			
Three handleless no handle	75	7	P	8~10	28	24	34	-	-	-	0.29		
	90				33	25	40	-	-	-	0.42		
Three corrugated (With fixed handle)	100	7		8~12	37	22	44	19	72	5/16"	0.52		
	125				45	25	48				0.85		
	150	8		10~16	48	30	54				1.26		
					52		58				1.58		
					200	10~20	58				32	59	2.15
							66					63	3.2
Four corrugated (With fixed handle)	250	10		N	12~22	68	38	76	23	85	3/8"	4.7	
	300					72	41	74				6.9	
	350		12		14~30	80	43	90				8.6	
						83	46	91				11.1	
						515		93				12.5	

P Round hole + tapping 120°

N Keyway + tapping 120°



■ Shaft hole P, N size table

unit : mm			
Shaft aperture	Kw	Kh	Tapping
8~10	3	1.4	M4
11~12	4	1.8	
13~17	5	2.3	
18~22	6	2.8	M5
23~30	8	3.3	
			M6

(New JIS B 1301)