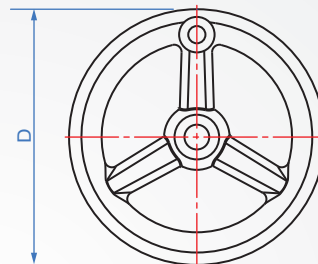
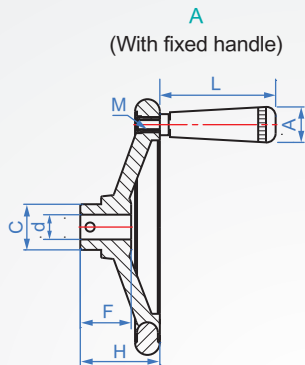


Plastic

YA964

Three-piece

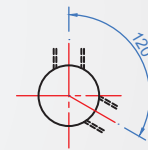


Ontology		Rotary handle	
Material	Color	Material	Color
PP	Black	PA	Black

How to order



P Round hole + tapping 120°



Shaft hole P size table

No.	D	d	Hole type	Aperture	C	F	H	Rotary handle			weight kg	
								A	L	M		
N (No handle)	88	12.7	P	8~12	31	23	36	19	53	5/16"	0.09	
	97										29	43
	115			30	45	0.13						
	123					0.16						
A (With fixed handle)	155	15.9		13~15	41	36	54	28	81	3/8"	0.27	
	178										42	58
	196			19.1	16~20	35	39				61	0.52
					19.1~20							

unit : mm

Shaft aperture Tapping

8~12	M4
13~17	M5
18~22	M6