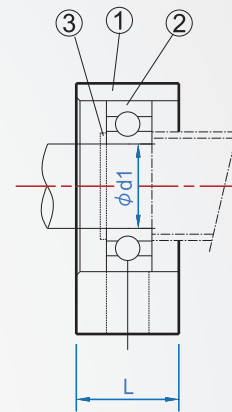
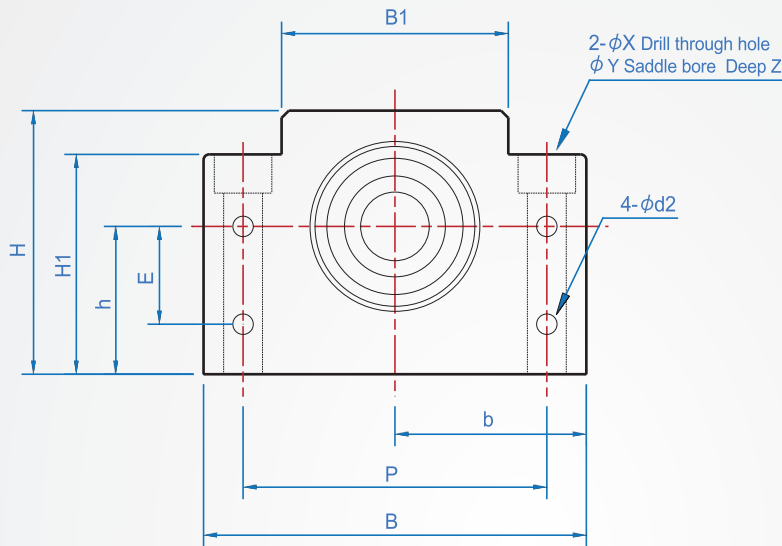
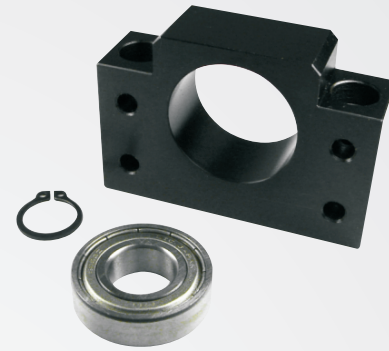


Support side
BF200

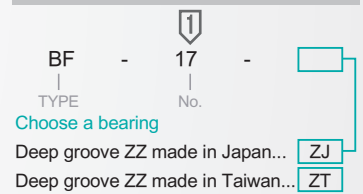


Constitute parts

Number	Parts name	Quantity
①	Bearing chock	1
②	Bearing	1
③	C Type Retaining Ring	1

Material	Finish
S45C	Black oxide

How to order



No.	d1	L	B	H	b		B1	H1	E	P	d2	X	Y	Z	Bearing	C Type Retaining Ring
					±0.02	±0.02										
10	8	20	60	39	30	22	34	32.5	15	46			10.8	5	608ZZ	S8
12	10	20	60	43	30	25	34	32.5	18	46	5.5	6.6	10.8	1.5	6000ZZ	S10
15	15	20	70	48	35	28	40	38	18	54			11	6.5	6002ZZ	S15
17	17	23	86	64	43	39	50	55	28	68	6.6	9	14	8.5	6203ZZ	S17
20	20	26	88	60	44	34	52	50	22	70					6004ZZ	S20
25	25	30	106	80	53	48	64	70	33	85	9	11	17.5	11	6205ZZ	S25
30	30	32	128	89	64	51	76	78	33	102	11	14	20	13	6206ZZ	S30

Corresponding screw & bearing please refer to 2-19 page.