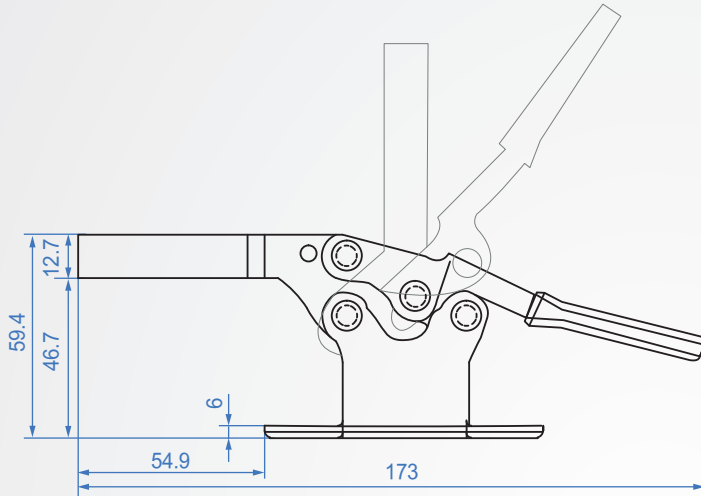
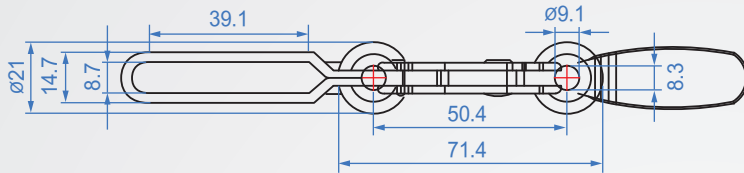


## GH225-DNB



### GH225-DNB

Material : SS400 Finish : Zinc plated

Unit : mm

Code No.	Clamping force(kg)	weight (g)	Handle moving	Chuck moving	Front-end accessories
GH225-DNB	227	260	65°	90°	FC-56212