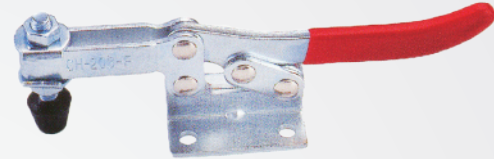
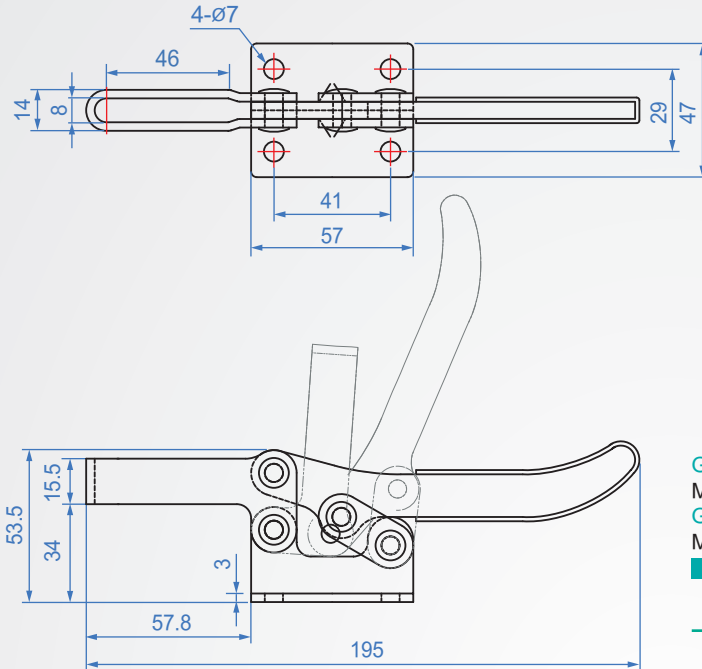


GH203-F



GH203-F

Material : SS400 Finish : Zinc plated

GH203-FSS

Material : SUS304

Unit : mm

Code No.	Clamping force(kg)	weight (g)	Hadle moving	Chuck moving	Front-end accessories
GH203-F	227	350	67°	94°	FC-56212
GH203-FSS	227	350	67°	94°	-