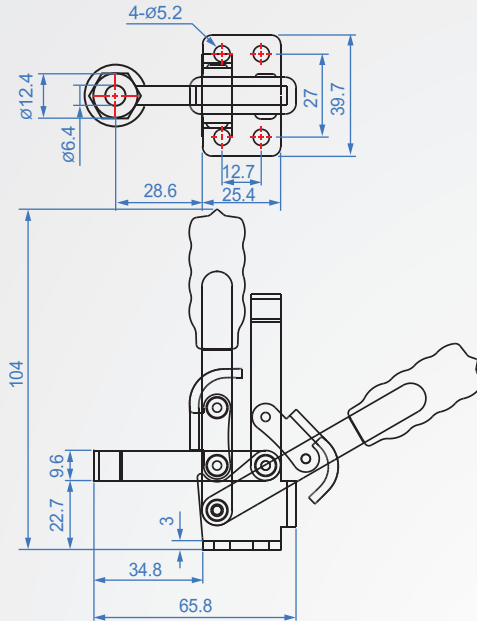


GH12050



GH12050

Material : SS400 Finish : Chrome plated

GH12050-SS

Material : SUS304

unit : mm

Code No.	Clamping force(kg)	weight(g)	Handle moving	Chuck moving	Front-end accessories
GH12050	91	170	60°	95°	FC-14134(Rubber)
GH12050-SS	91	170	60°	95°	—