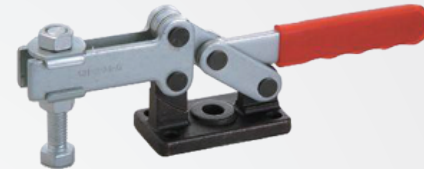
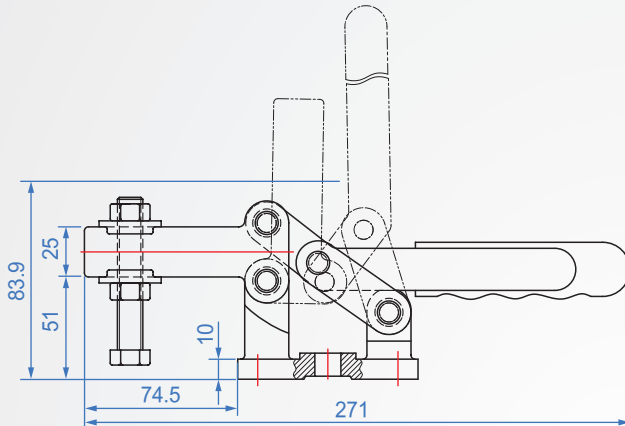
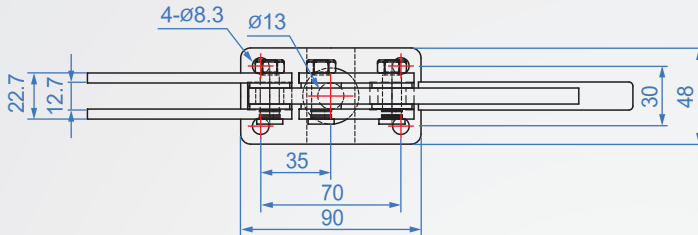


GH204-G



GH204-G

Material : SS400 Finish : chromium plated

Unit : mm

Code No.	Clamping force(kg)	weight (g)	Hadle moving	Chuck moving	Front-end accessories
GH204-G	636	1225	93°	91°	NSA-12300

1N=0.102kgf