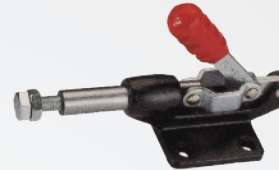
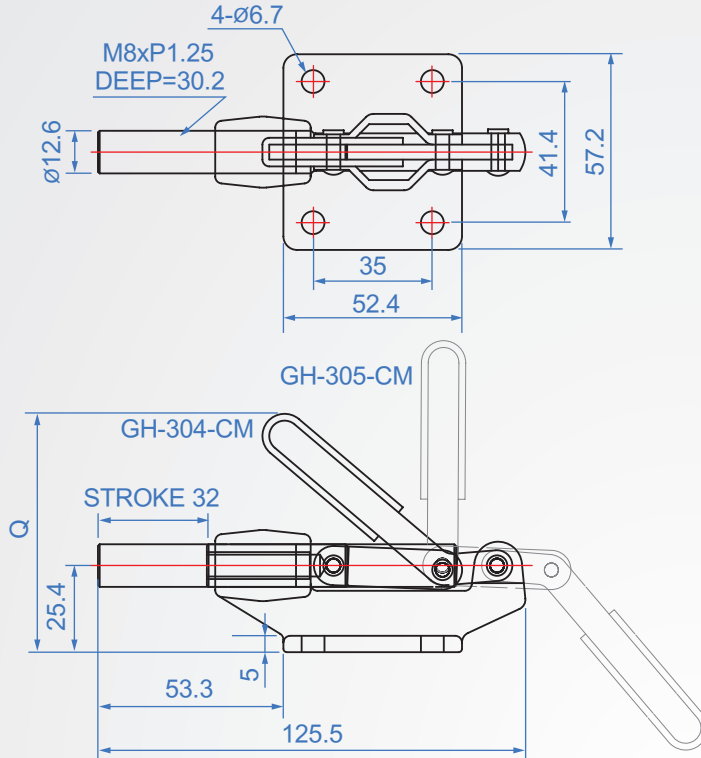
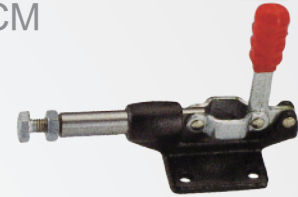


## GH304-CM



304-CM



305-CM

### GH304-CM

Material : SS400 Finish : Zinc plated

Unit : mm

Code No.	Clamping force(kg)	weight (g)	Q	Hadle moving	Chuck moving	Front-end accessories
GH304-CM	227	345	75	183°	32	NSA-085012
GH305-CM	227	345	97.9	183°	32	NSA-085012

1N=0.102kgf