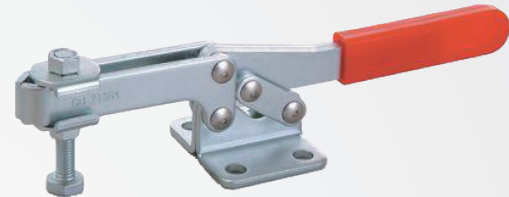
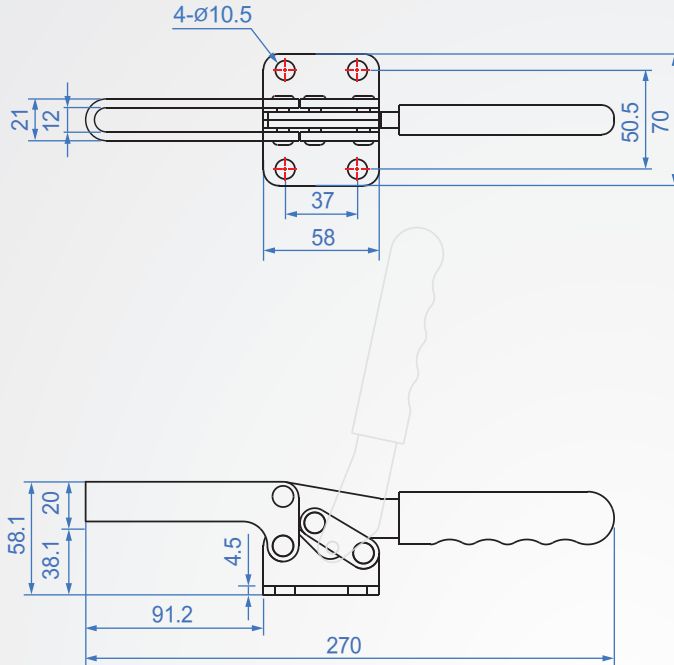


GH21384



GH21384

Material : SS400 Finish : chromium plated

Unit : mm

Code No.	Clamping force(kg)	weight (g)	Hadle moving	Chuck moving	Front-end accessories
GH21384	500	740	83°	66°	NSA-106515