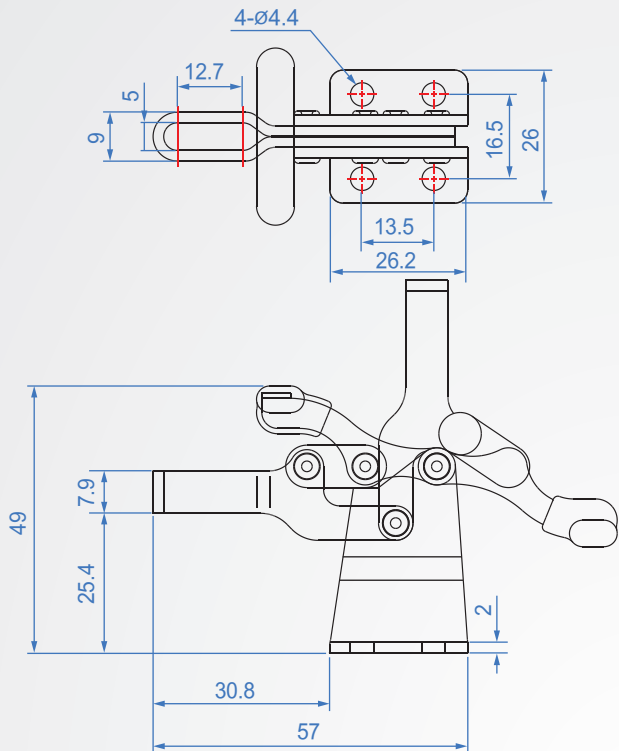


GH13005-HB



GH13005-HB

Material : SS400 Finish : Zinc plated

unit : mm

Code No.	Clamping pressure (kg)	weight (g)	Handle movement	Chuck movement	Front end fitting
GH13005-HB	68	68	170°	90°	NFC-10138(Rubber)