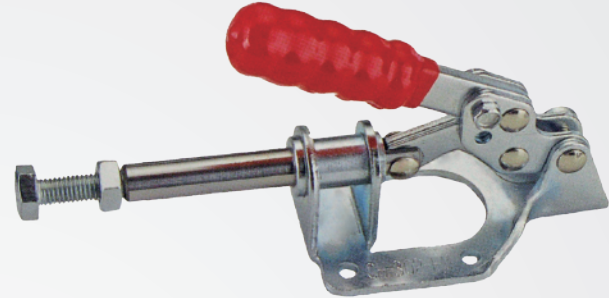
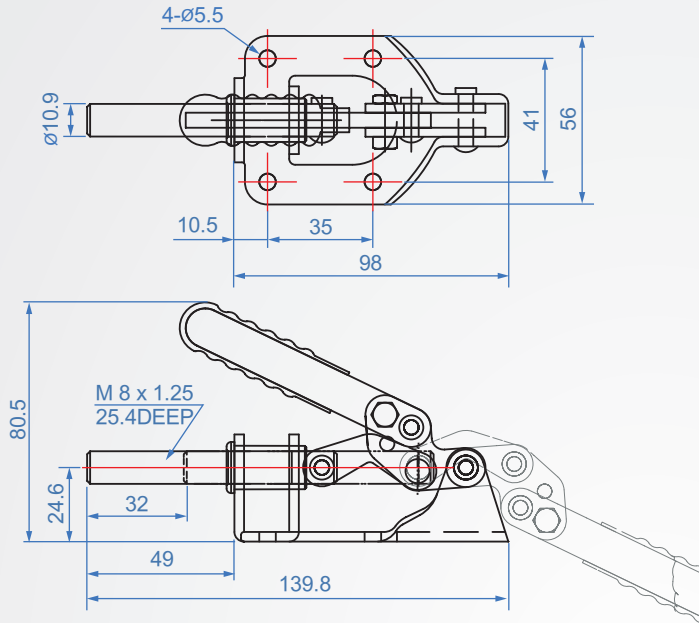


GH302-F



GH302-F

Material : SS400 Finish : Chrome plated

GH302-FSS

Material : SUS304

Unit : mm

Code No.	Clamping force(kg)	weight (g)	Hadle moving	Chuck moving	Front-end accessories
GH302-F	136	300	180°	32	NSA-085012
GH302-FSS	136	300	180°	32	—