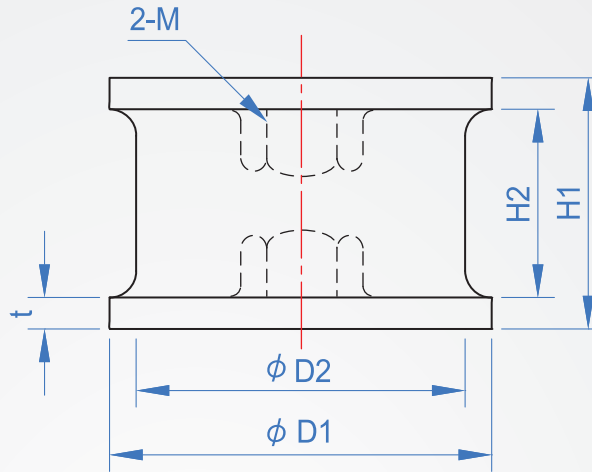


Shockproof rubber

## VB992

Two-side  
female thread

Main part	Metal part	Finish
NR rubber	Steel-SS41	Multicolored plating



### How to order

VB992 - 2522  
TYPE      No.

							Unit : mm	
No.	D1	D2	H1	H2	M	Pitch	t	
2522	25	20	22	14	M6	1	4	
3018	30	25	31	23	M8	1.25	4	
3526	35	30	33				5	
4022	40	34	39	29	M10	1.5	5	
5026	50	42	26	16			5	

※Appearance will be a little excess glue, which does not affect the function.