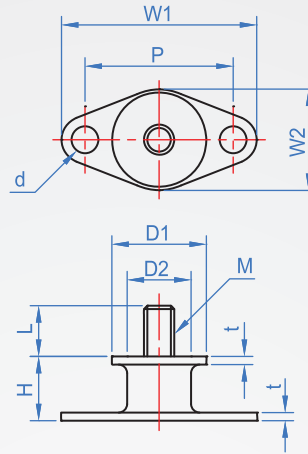
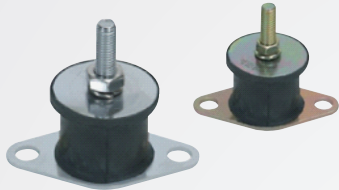


Shockproof rubber
VB991 With flange



Taiwan patents

Main part	Metal part	Finish
	Steel-SS41	Multicolored plating
NR rubber	SUS304	—

How to order

↓
 VB991 - 2527 -
 TYPE No.
 Material chosen
 Steel.....Blank
 SUS304.....SUS

Unit : mm

No.	D1	D2	H	W1	W2	P	2-d	t	Thread bolt			Z direction			X direction		Rigidity ratio kx / kz
									M	Pitch	L	Load kgf	Use load kgf	Static elastic modulus kgf/mm	Load kgf		
2527	25	20	27	56	26	42	7	2.3	M6	1	17	32	9~16	9.5±0.15	6	0.2	
3026	30	25	26	63	31	48	9		M8	1.25	24	70	20~35	17±0.15	11	0.19	
3535	35	30	35	69	36	53						35	110	75	20~38	15±0.15	20
4035	40	34		76	41	60											
5040	50	42	40	93	51	73	11.5	3.2	M10	1.5	40	110	25~55	28±0.15	40		

※Use :

- In shockproof rubber used for compression, shear direction of vibration.
Shape is simple, economical for small high-speed machinery earthquake support.
- Buffer between each other parts, installation is easy.
- Compression spring set number kt/ Cut spring set number Ks : 1/0.15~1/0.2, relatively flexible system shock.
- Application: Pumps, compressors, generators, motors.