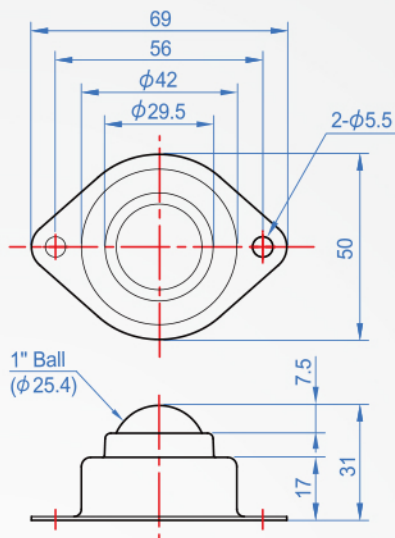


Standard type  
**BR807**  
 Low price



※ There are performance based on high-quality stainless steel ball support dish, more to achieve high performance.

How to order

BR807 - P-8Y  
 TYPE Code

Copyright © CHENA INDUSTRIAL CO., LTD All Rights Reserved.

Allowable load	Code	Main ball	Auxiliary ball	Main part	Support dish	Weight (g)
5 kg	P-8Y	Nylon	Steel	Steel	SUS	79
30 kg	C-8Y	Steel				138
	S-8Y	SUS	SUS	SUS	SUS	134
50 kg	C-8Y-50kg	Steel	Steel	Steel	Steel	212

Unit : mm

