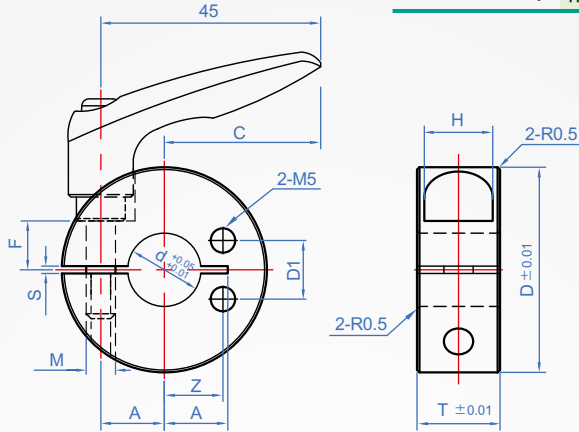


Side mounting type SC484



Retaining rings		handle		
Material	Finish	Material	color	Screw
A6061 Aluminum alloy	black anode	Zinc Die Casting (Paint)	orange	SCM435 (Black)
	hardened anode		Black	

How to order

SC484 - 16 - 42 -

TYPE d D

Select surface treatment

Black anode.....

Hardened anode.....

Unit : mm										
d	D	T	A	F	H	S	D1	Z	Handle L C	Screw L M
15	42	17	13	10	14	1.5	12	12	32	M6-20
16			15	12			14	14	30	M6-25
20	48		18	16			16	16	18	27
25	58									