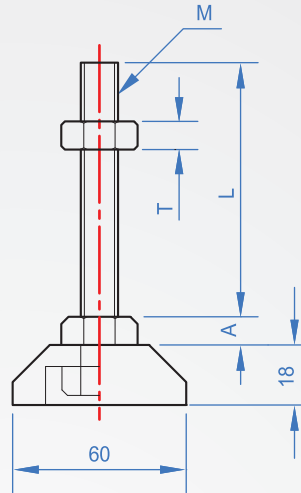
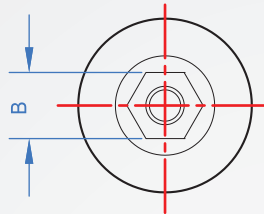


Heavy load foot FT988



Material	Finish
Steel	White zinc plated
SUS304	—

How to order

1 FT988 - M10 - 75 -
TYPE M L

select material

Steel.....

SUS304.....SUS

1		2					Unit : mm			
M	Pitch	L		A	B	T	Load (kg)			
M10	1.5	75	100	7	17	8	300			
M12	1.75	75	100	125	150	8	19	10	500	
M16	2.0	75	100	130	150	180	10	24	13	1000
M20	2.5	100	130	150	180	13	30	16	1500	