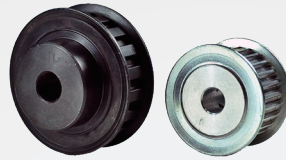
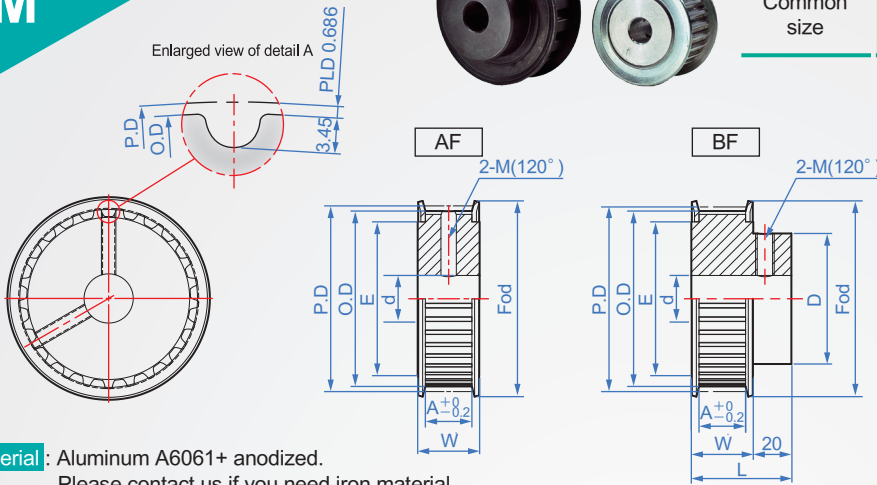


Pitch : 8.0mm
8M



Width code	15	20	25	30	40
Common size	A=16.7 W=22 L=42	A=21.7 W=28 L=48	A=26.7 W=33 L=53	A=31.7 W=38 L=58	A=41.7 W=48 L=68



Material : Aluminum A6061+ anodized.
Please contact us if you need iron material.

How to order

1 2 3 4

18 - S8M-15 - BF - H12 -

Number of teeth TYPE width Shape Hole shape

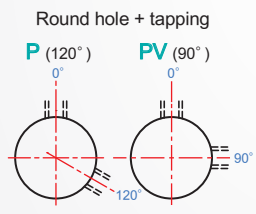
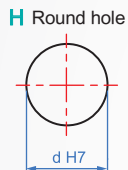
Choose surface treatment

AS.....Clear anode
AB.....Black anode
AN.....Electroless nickel
AK.....Hardened anode

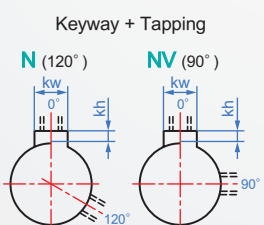
BF shape can specify changes
Example: original D path 60, change 65..... **D65**

1 2 3 4 Unit : mm

Number of teeth	TYPE width	Shape	Hole shape	Aperture d Processing min.	P.D	O.D	D	E	Fod
18					45.84	44.46	32	35	50
19					48.38	47.01	35		55
20				12~	50.93	49.56	36		
21					53.48	52.10	40	43	60
22					56.02	54.65	40	44	62
23					58.57	57.20	42	45	65
24					61.12	59.74	44		70
25					63.66	62.29	46	50	
26					66.21	64.84	48		75
27					68.75	67.38	50	55	
28					71.30	69.93	52	60	80
29					73.85	72.48	54		
30				16~	76.39	75.02	56		85
31					78.94	77.57	58	65	
32					81.49	80.12	60	70	90
33	8M-15				84.03	82.66	62	75	
34					86.58	85.21	64		95
35					89.13	87.75	66		
36					91.67	90.30	68	80	99
37	8M-20				94.22	92.85	70		
38					96.77	95.39	72		105
39					99.31	97.94	74	85	
40					101.86	100.49	76	90	110
41	8M-25				104.41	103.03			
42					106.95	105.58		95	115
43					109.50	108.13			118
44					112.05	110.67	78	98	
45	8M-30				114.59	113.22		98	118
46					117.14	115.77			125
47					119.68	118.31	80	105	
48					122.23	120.86			128
49	8M-40				124.78	123.41		110	
50					127.32	125.95			135
51					129.87	128.50	82	115	140
52				20~	132.42	131.04			
53					134.96	133.59	84	120	146
54					137.51	136.14			
55					140.06	138.68			152
56					142.60	141.23			
57					145.15	143.78	86	125	
58					147.70	146.32			157
59					150.24	148.87			
60					152.79	151.42	88	128	160
70					178.25	176.88			
72					183.35	181.97	90	157	188
80					203.72	202.35			210
90					229.18	227.81	100	195	235
100					254.65	253.28		220	260



Axis aperture	Tapping
6~12	M4
13~17	M5
18~30	M6
31~44	M8
45~65	M10



Shaft bore	kw(Js9)	kh	Tapping
8~10	3	1.4	M4
NK10	4	1.8	
11~12	4		
13~17	5	2.3	M5
18~22	6	2.8	M6
23~30	8		
31~38	10	3.3	

Copyright © CHENA INDUSTRIAL CO.,LTD ALL Rights Reserved.