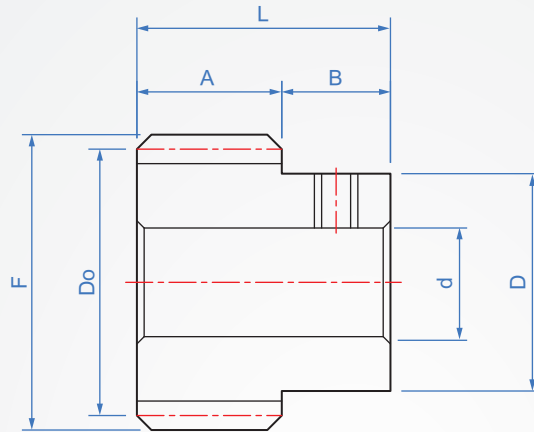
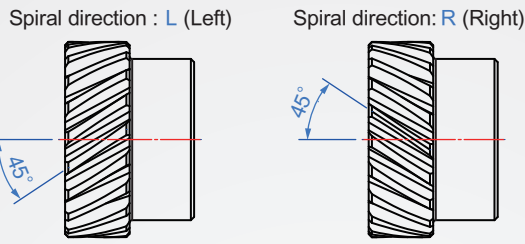
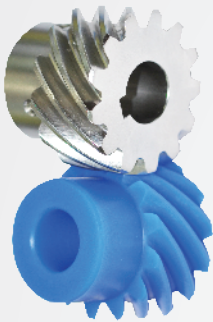
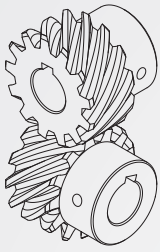


Pressure angle 20°
SG327
 Helix angle 45°



Material	Finish
S45C	-
	Dye black
	Electroless nickel
SUS304	-
MC Nylon	-

Accuracy level : JIS N 9 level

How to order

1 2 3 4
 SG327 - R - M1 - 13 - P8 - TB
 Direction Modulus Number of teeth Hole shape
 Shaft diameter
Select surface treatment
 S45C..... T
 S45C+Dye black..... TB
 S45C+Electroless nickel..... TN
 SUS304..... SUS
 MC Nylon..... MC

D path change can be specified
 Example: original D path 15, change 13

unit : mm												
Direction	Modulus	Number of teeth	Hole shape	Minimum aperture d	A	B	L	Number of teeth	D	Do	F	
L Left spiral	M1	13	H Round hole 	6~	10	10	20	13	15	18.38	20.38	
		15		15				18	21.21	23.21		
		20		20				25	28.28	30.28		
		26		26				30	36.77	38.77		
		30		30				35	42.43	44.43		
	M1.5	10	Round hole + tapping P (120°) PV (90°) 	8~	15	10	25	10	16	21.21	24.21	
		13		13				23	27.58	30.58		
		15		15				25	31.82	34.82		
		20		20				30	42.43	45.43		
		26		26				40	55.15	58.15		
	M2	10	Keyway + Tapping N (120°) NV (90°) 	12~	20	15	35	10	22	28.28	32.28	
		13		13				30	36.77	40.77		
15		15		35				42.43	46.43			
20		20		45				56.57	60.57			
26		26		60				73.54	77.54			
R Right spiral	M2.5	10	Axis aperture Tapping 6~17 M4 18~30 M5	12~	22	16	38	10	26	35.36	40.36	
		13		13				35	45.96	50.96		
		15		15				40	53.03	58.03		
		20		20				60	70.71	75.71		
		26		26				70	91.92	96.92		
M3	10	Keyway + Tapping N (120°) NV (90°) 	15~	25	18	43	10	34	42.43	48.43		
	13		13				45	55.15	61.15			
	15		15				50	63.64	69.64			
	20		20				60	84.85	90.85			
	26		26				80	110.31	116.31			
M4	10	Axis aperture kw(Js9) kh Tapping 8~10 3 1.4 NK10 4 1.8 M4 11~12 4 1.8 13~17 5 2.3 18~22 6 2.8 M5	20~	30	20	50	10	45	56.57	64.57		
	13		13				60	73.54	81.54			
	15		15				70	84.85	94.85			
	20		20				90	113.14	121.14			
	26		26				100	147.08	155.08			
30	30	110	169.71	177.71								

Copyright © CHENA INDUSTRIAL CO.,LTD ALL Rights Reserved.