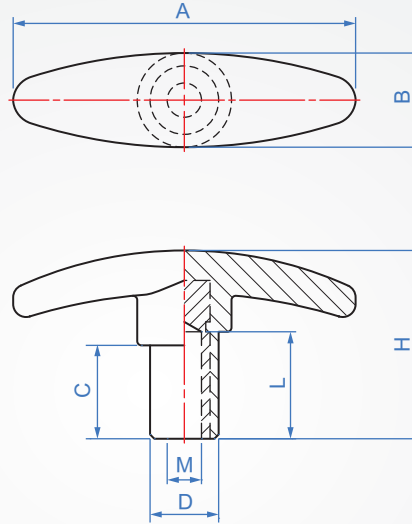


T-shaped handle

## HB972

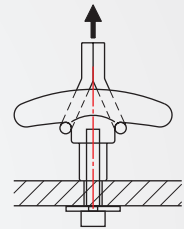
Internal thread



| Ontology |        | Dental sleeve |
|----------|--------|---------------|
| Material | colour |               |
| Bakelite | Black  | Brass         |

Oil resistance and chemical resistance.

Use example



How to order

HB972 - M6
   
 TYPE            A

| 1   |    |    |    |    |    |       |    |                      |            | unit : mm |
|-----|----|----|----|----|----|-------|----|----------------------|------------|-----------|
| M   | B  | C  | D  | H  | A  | Pitch | L  | Pull up the load (N) | weight (g) |           |
| M6  | 18 | 16 | 12 | 40 | 70 | 1     | 20 | 2000                 | 35         |           |
| M8  | 22 | 25 | 16 | 44 | 80 | 1.25  | 25 | 2000                 | 65         |           |
| M10 | 24 | 28 | 18 | 48 | 90 | 1.5   | 28 | 4000                 | 100        |           |