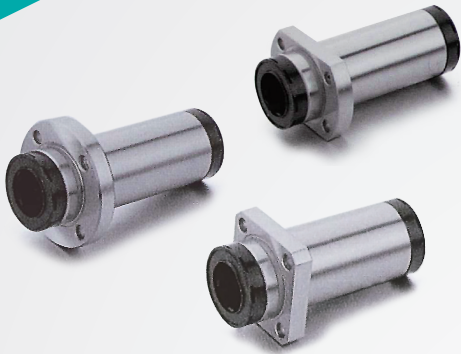


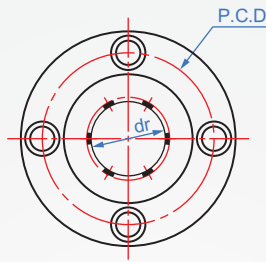
MX Embed
MX238
Extended type



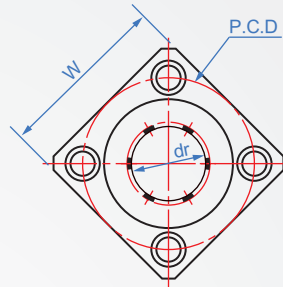
Outer tube	Steel ball	Holder	Ambient temperature	Annex
SUJ2 HRC58~	SUJ2	Resin	-20~80°C	Two side dust cover

characteristic : With lubricating resin, it has auxiliary maintenance function during exercise.

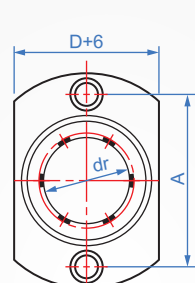
F : Round flange



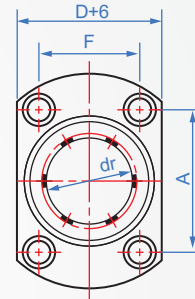
K : Square flange



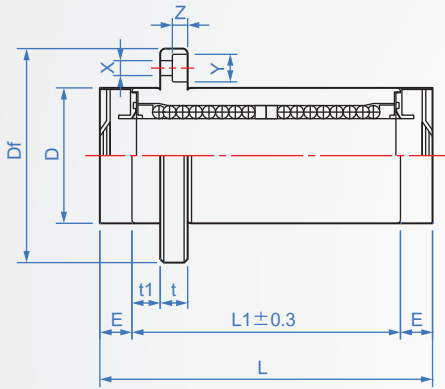
H : Two-sided flange



dr12~ or less
(2 holes)



dr16~ or less
(4 holes)



How to order

MX238 - 10L -
TYPE dr

Choose shape

Round flange..... F

Square flange..... K

Two-sided flange..... H

dr	tolerance	Main dimensions							Flange							Eccentric max.	Straight angle	Basic load rating			weight(g)		
		D	tolerance	L	L1	E	A	Df	F	P.C.D	t	t1	W	X	Y			Z	Move C	Still Co	Round	Square	Two sides
10L		19		65	55	5	29	40		29								580	1000	100	80	90	
12L	+0 -0.01	21	+0 -0.016	68	57	5.5	32	42		32	6	6	32	4.5	7.5	4.1	0.015	0.015	800	1500	110	90	100
16L		28		82	70	6	31	48	22	38			37					1200	2300	190	170	180	
20L		32		94	80	7	36	54	24	43			42					1400	2700	270	230	250	
25L	+0 -0.012	40	+0 -0.019	130	112	9	40	62	32	51	8	8	50	5.5	9	5.1	0.02	0.02	1500	3100	550	510	535
30L		45		143	123	10	49	74	35	60			58					2400	5400	700	610	660	
35L		52		157	135	11	55	82	38	67	10	10	64	6.6	11	6.1			2600	6200	1000	950	970
40L	+0 -0.015	60	+0 -0.022	175	151	12	64	96	45	78			75				0.025	0.025	3400	8000	1600	1400	1450
50L		80		220	192	14	80	116	56	98	13	13	92	9	14	8.1			6000	15800	3600	3400	3500

G6 tolerance guide is recommended.

1N≒0.12kgf

Copyright © CHENA INDUSTRIAL CO.,LTD ALL Rights Reserved.