

Light load

SU890

stainless steel plate



A Activity wheel



B Active + Brake wheel



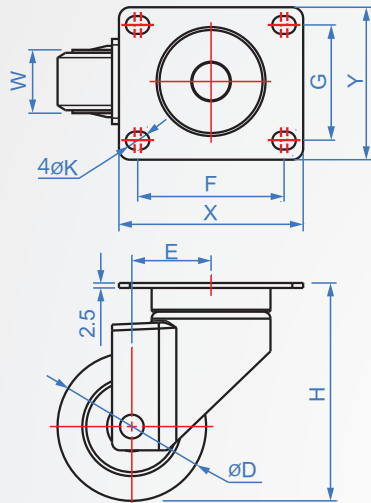
C Fixed wheel

Ontology	Wheel frame	Wheel	difference
SUS	Nylon	TPR rubber	reduce noise
		Nylon	load bearing

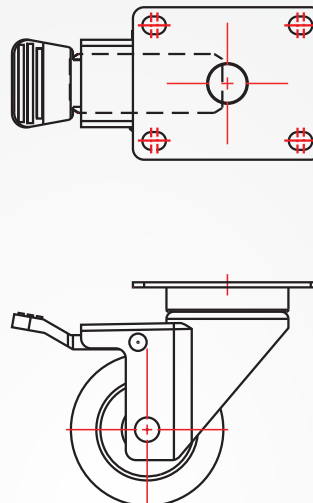
How to order

SU890 - A - 50
TYPE Kind D

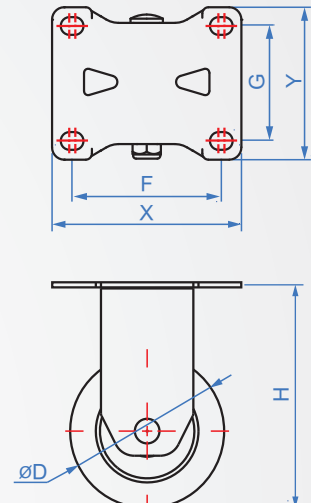
A Activity wheel



B Active + Brake wheel



C Fixed wheel



Allowable load kgf		Kind	D		W	H	E	Chassis		Mounting holes		
TPR wheel	Nylon wheel		TPR wheel	Nylon wheel				X	Y	F	G	K
35	50	A、B、C	38	38H	18	60	27	54	44	40	30	6.5
			50	50H		20	23					
80	100		75	(75H)	32	105	32 (32)	100	80	74x45 or 80x60	8.5	
100	120		100	100H		130	34					
120	150	125	(125H)	35	156	37 (37)						

* Wheels can choose MC nylon (wheel diameter + H), the load capacity is increased by 20% °

1kgf=9.8N