

Hex Socket Flat Head Screw JS715 Through Hole

characteristic :

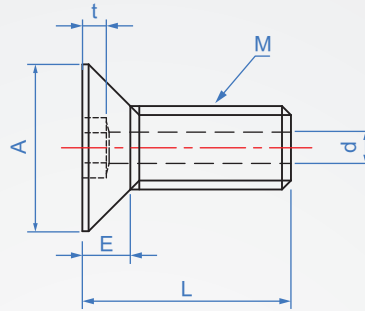
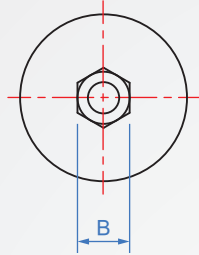
Through hole screws are suitable for exhaust and gas filling applications. Such as semiconductor manufacturing, FPD flat panel display manufacturing, etc. vacuum suction equipment.

Material

SUS304

Strength
distinction

A2-70



How to order

JS715 - M4 - 6
 TYPE M L

											Unit : mm						
M	Pitch	L									A	B	d	E	t	PCS/PKG	
M3	0.5	5	6	8	10	12	16				6	2	1.2	1.7	1.2	20	
M4	0.7		6	8	10	12	16	20			8	2.5	1.5	2.3	1.8		
M5	0.8			8	10	12	16	20	25		10	3	1.5	2.8	2.3	10	
M6	1.0			8	10	12	16	20	25	30	12	4	2	3.3	2.5		
M8	1.25				10	12	16	20	25	30	35	16	5	2	4.4	3.5	5

Units for the package get more preferential.