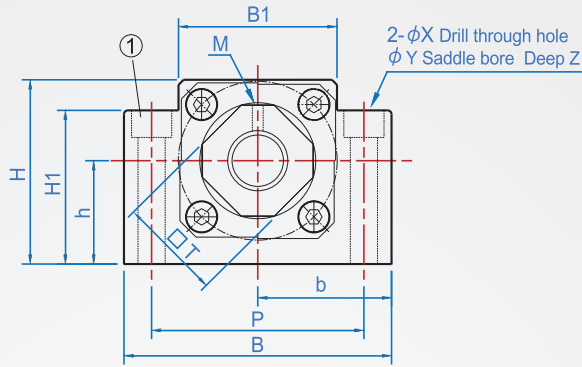
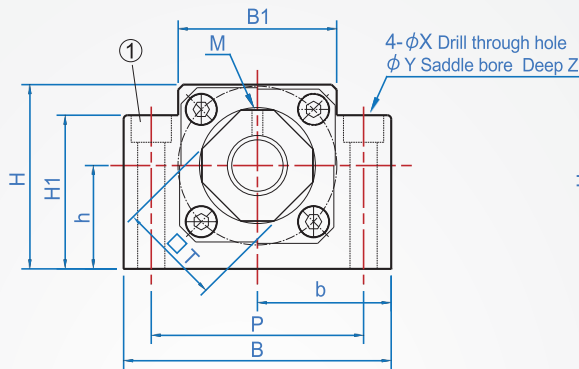
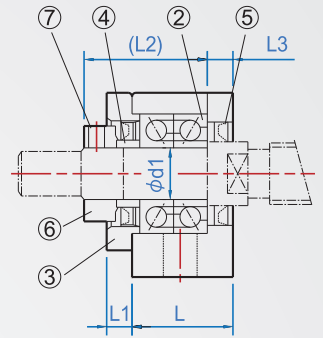


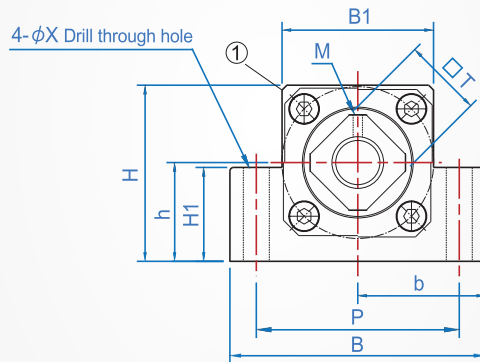
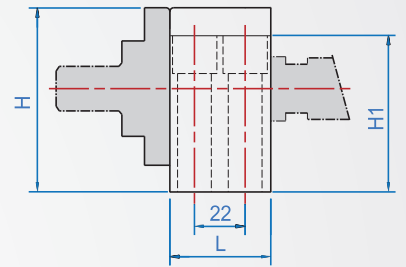
Fixed side
DK



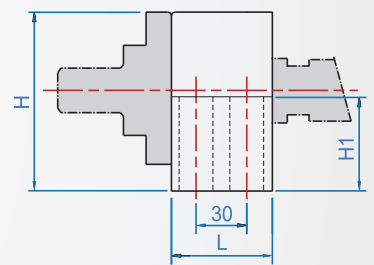
DK10~15 2-Mounting holes



DK20 4-Mounting holes



DK25 4-Mounting holes



Constitute parts

Number	Parts name	Quantity
①	Bearing chock	1
②	Angular bearing	1 set
③	Gland	1
④	Distance ring	2
⑤	Gasket	2
⑥	Grip nut	1
⑦	Hex set screw with heel block	1 set

★Warning : ①②③ as a whole, do not decompose.

Material	Finish
S45C	Black oxide

How to order

DK - 5 - []
TYPE No.

Choose a bearing

Bevel P5 Made in Japan..... [P5J]
Bevel P0 Made in Japan..... [P0J]
Bevel P5 made in Taiwan..... [P5T]
Bevel P5 Made in China..... [P5C]

Deep groove ZZ made in Japan... [ZJ]
Deep groove ZZ made in Taiwan... [ZT]

No.	d1	L	L1	(L2)	L3	B	H	b	h	B1	H1	P	X	Y	Z	m	M	□T
									±0.02									
10	10	24	6	29.5	6	70	43	35	25	36	35	52	9	14	11	M4	M10x1	16
12	12							30	30	41	40	60					M12x1	19
15	15	25	36	5	80	50	40	30	41	40	60	11	17	15	M15x1		22	
20	20	42	50	10	95	58	47.5	56	45	75	M20x1				30			
25	25	48	13	57	9	105	68	52.5	35	66	25	85	-	-	M5	M25x1.5	35	

Corresponding screw & bearing please refer to 2-19 page.