

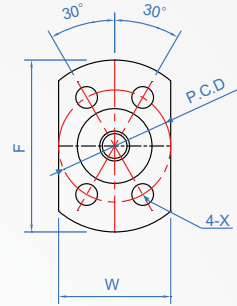
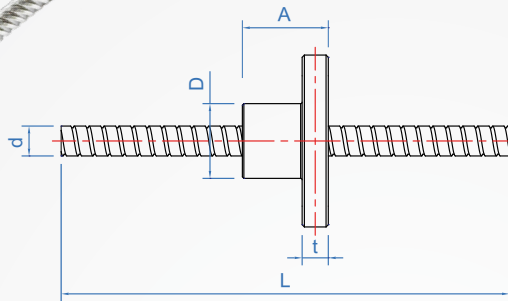
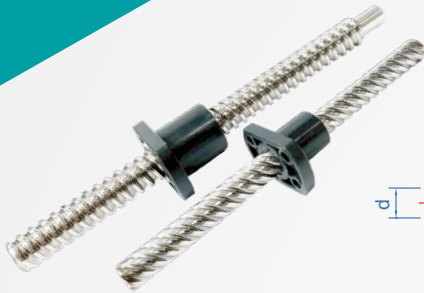
KW271

Quiet/Large Lead

Feature:
Resin nut reduces friction through shaft polishing, thereby increasing screw efficiency. Compared with the ball screw, the noise is low, and it can also be used with lubricating oil to achieve the best running effect. It can be used in a wide range of environments. (no oil supply, corrosion resistance, heat resistance.)

Parts	Material	direction	Precision
Threaded shaft	SUS304	Right thread	JIS B 1192
Nut	Special resin		

Cumulative lead error : ±0.21/300mm



How to order

① KW271 - 401 - 200
TYPE d - Lead L

Single product purchase
Nut
KW271-4-1-A

D-Lead		L	Shaft mass (g)	axis quality(g)	Nut size								Axial clearance	Steering load (N参考)	Number of revolutions (rpm参考)	Tightening torque N•mm
d	Pitch				D	F	PCD	X通孔	W	t	A	quality(g)				
4	01	200	16	1	10	23	15	2.9	15	3.5	11.5	3	0.05	50	2000	250
	02													60		
6	01	300	57	1	12	26	18	3.4	17	3.5	14.5	3	0.05	120	2000	600
	02		60													
	09		63	4									0.1	90		
	18													70		
8	01	300	105	1	14	29	21	3.4	18	4	18	5	0.05	200	2000	600
	02		96													
	12	400	136	4								0.1	210			
	24		144													
10	02	300	156	1	16	33	24	4.5	21	5	22	6	0.05	460	1500	800
	06		370													
	10	1000	540	4								0.1	250			
	15		410													
12	30	450	225	6	18	35	26	4.5	22	5	25	8	0.1	410	1000	800
	02		231													
	04	1000	720	1								0.05	620			
	08		730													
	12	500	820	2								0.1	470			
	18		385													
15	36	2000	400	6	24	42	33	4.5	27	6	30	17	0.1	540	800	800
	05		2300													
	10	2000	2260	2								0.1	890			
	20		2280													
20	10	2000	4320	2	30	50	40	5.5	32	7	36	26	0.1	1100	600	1000
	20		4360													
	27		1420													

Nut material characteristics table

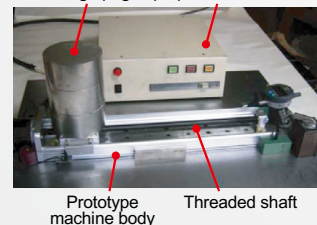
project	unit	Special resin
density	g/cm	1.68
hardness	Luo Style	95
Tensile Strength	Mpa	155
Tensile failure	%	1.8
Bending strength	Mpa	215
Water absorption	%	0.05

The above note is the reference value of the material.

1. Durability test method

Testing machine: made by Motion5
Load weight: 9kg

Load weight(3kg x 3pcs) control Panel



Backlash Tester

Specialty

project	lubricating oil	Corrosion resistance	Thread accuracy	Thread efficiency	noise	Operating temperature
Super sliding screw	No (can be used together)	◎	○	○	◎	◎
General purpose threaded rod (Oil POM)	No (can be used together)	△	○	△~○	△~○	△
Ball screw	Yes	X	◎	◎	△	△

It can be used in a wide range of environments. (No lubrication, corrosion resistance, heat resistance)
Compared with the ball screw, the noise is low.
High screw efficiency is achieved due to the low friction resin nut.

2. The relationship between travel distance and axial clearance

